

# PARTS LIST

[ KD-AVX1 ]

\* All printed circuit boards and its assemblies are not available as service parts.

## Area suffix

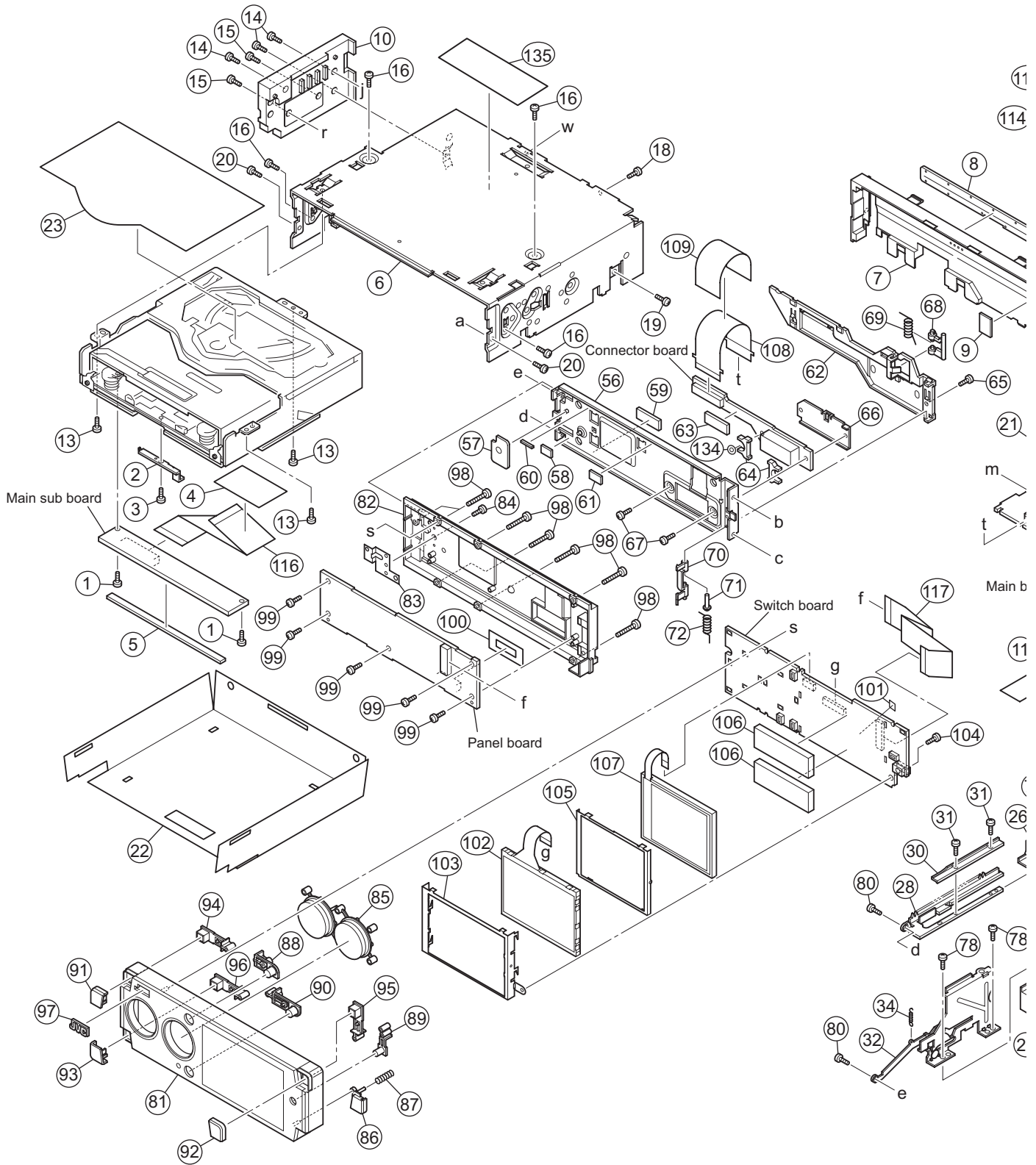
J ----- Northern America  
E ----- Southern Europe  
A ----- Australia  
UT ----- Taiwan  
UN ----- Indonesia  
U ----- Other Areas

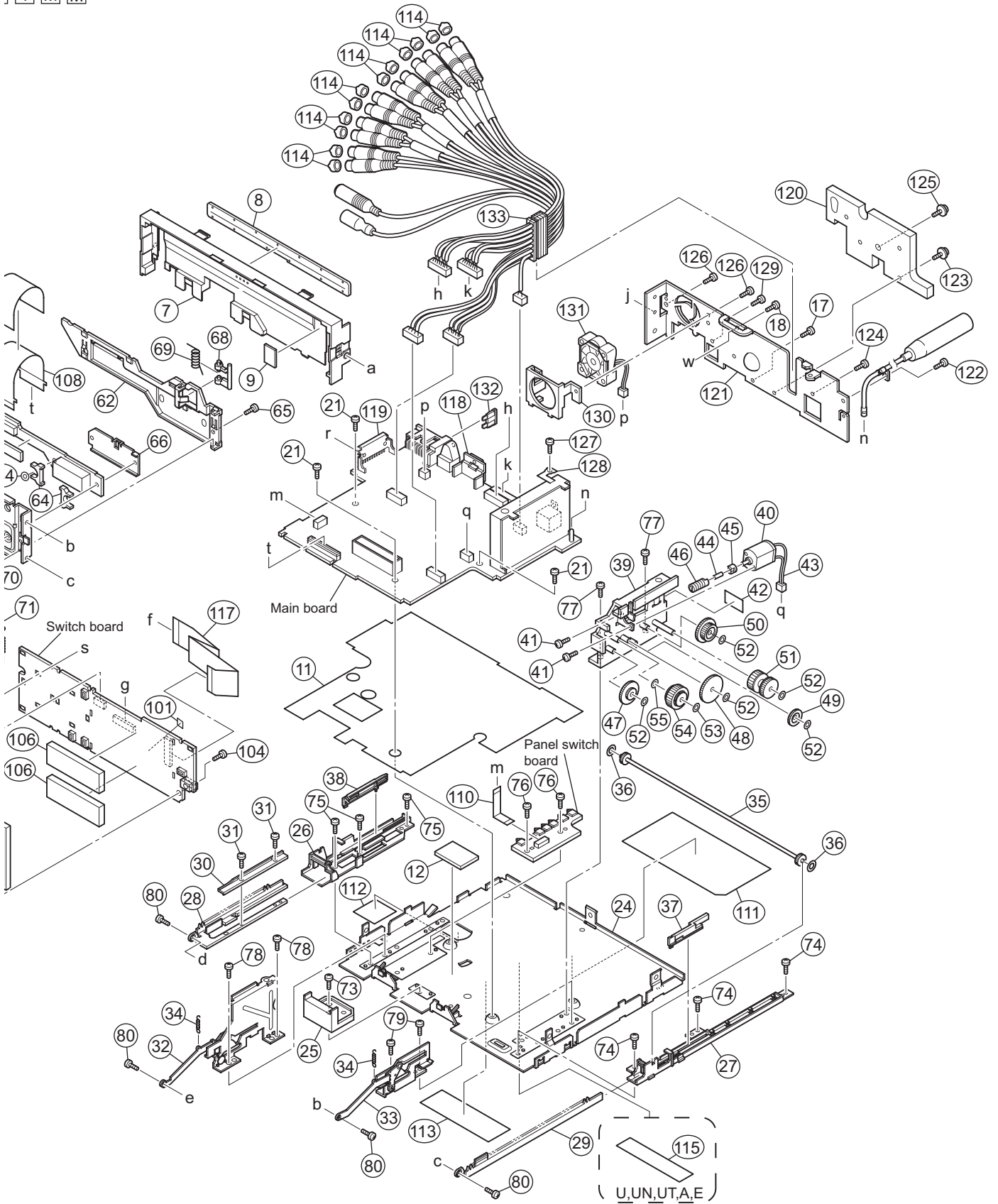
## - Contents -

Exploded view of general assembly and parts list (Block No.M1) .....	3- 2
DVD mechanism assembly and parts list (Block No.MJ) .....	3- 6
Electrical parts list (Block No.01~04) .....	3- 9
Packing materials and accessories parts list (Block No.M3) .....	3-20

# Exploded view of general assembly and parts list

Block No. **M 1 M M**





# General Assembly

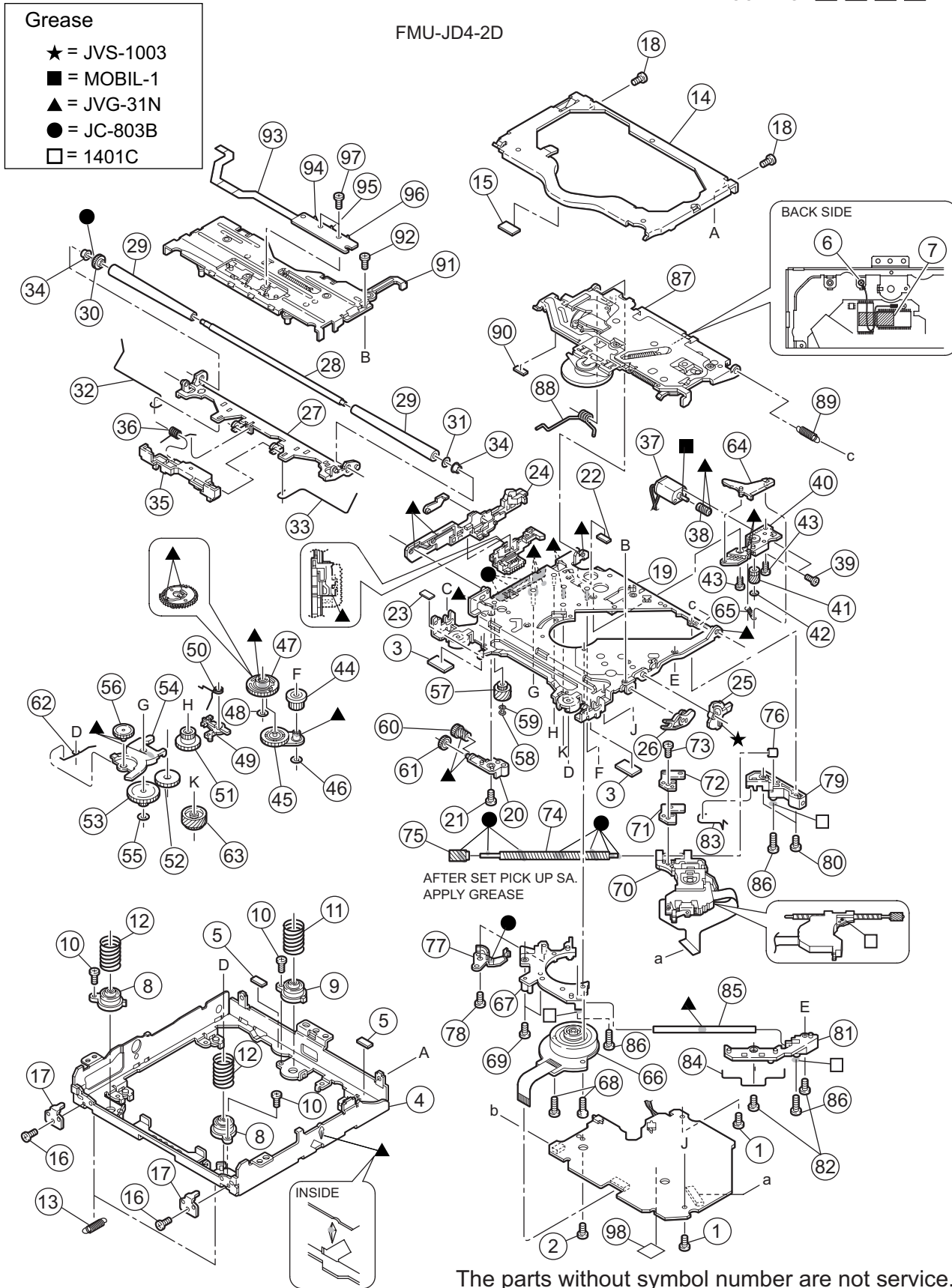
Block No. [M][1][M][M]

Symbol No.	Part No.	Part Name	Description	Local
1	QYSDST2004ZA	TAP SCREW	M2 x 4mm(x2)	
2	LV44173-001A	PWB BRACKET		
3	QYSDST2004ZA	TAP SCREW	M2 x 4mm	
4	GE40278-001A	SHEET		
5	LV44263-001A	SPACER		
6	LV11077-001A	TOP CHASSIS		
7	LV35764-001A	FRONT CHASS ASS		
8	GE40156-001A	BLIND		
9	LV40846-017A	SPACER(F)		
10	LV21951-001A	SIDE HEAT SINK		
11	LV36196-001A	INSULATOR		
12	LV43854-001A	COOLING RUBBER		
13	QYSDST2604ZA	TAP SCREW	M2.6 x 4mm(x3)	
14	QYSDST2610ZA	TAP SCREW	M2.6 x 10mm(x3)	
15	LV41200-005A	SPECIAL SCREW	(x2)	
16	QYSDST2604ZA	TAP SCREW	M2.6 x 4mm(x4)	
17	LV41200-004A	SPECIAL SCREW		
18	QYSDST2604ZA	TAP SCREW	M2.6 x 4mm(x2)	
19	LV41200-004A	SPECIAL SCREW		
20	QYSPSP2003MA	SCREW	M2 x 3mm(x2)	
21	LV41200-004A	SPECIAL SCREW	(x3)	
22	LV35842-001A	INSULATOR		
23	LV34460-001A	INSULATOR		
24	LV10463-004A	BOTTOM CHASSIS		
25	LV32453-001A	FPC GUIDE		
26	LV20929-001A	GUIDE RAIL(L)		
27	LV20930-001A	GUIDE RAIL(R)		
28	LV42239-001A	S PLATE(L) ASSY		
29	LV42240-001A	S PLATE(R) ASSY		
30	LV42104-001A	DETECT PLATE		
31	QYSPSPU1725MA	SCREW	M1.7 x 2.5mm(x2)	
32	LV32569-004A	A BKT ASSY(L)		
33	LV32570-002A	A BKT ASSY(R)		
34	LV42112-001A	TENS SPG(L)	(x2)	
35	LV32459-001A	ROD GEAR(SH)		
36	QYWFL259013-0	WASHER	9mm/2.5mm x 0.13mm(x2)	
37	LV32530-001A	GUIDE BLOCK(R)		
38	LV32531-001A	GUIDE BLOCK(L)		
39	LV32460-002A	MOTOR BKT ASSY		
40	QAR0182-001	MOTOR(FEED)		
41	QYSPSPT2020ZA	SCREW	M2 x 2mm(x2)	
42	LV40847-002A	SPACER		
43	WJM0204-001A	E-SI C WIRE C-F		
44	LV42455-001A	SHAFT		
45	LV42437-001A	ROTOR		
46	LV42436-001A	WORM GEAR		
47	LV42115-003A	GEAR S1		
48	LV42116-002A	GEAR S2		
49	LV42117-001A	GEAR S3		
50	LV42118-002A	GEAR S4		
51	LV42119-001A	GEAR S5		
52	WDM215025	WASHER	(x5)	
53	WDM214540	WASHER		
54	LV30981-005A	CLUTCH ASSY		
55	QYWFL266010-9	WASHER	6mm/2.6mm x 0.1mm	
56	LV35767-002A	F.BRACKET ASSY		
57	LV42394-001A	ABSORBER		
58	LV40846-022A	SPACER(F)		
59	LV40846-018A	SPACER(F)		
60	LV40846-038A	SPACER(F)		
61	LV40846-022A	SPACER(F)		
62	LV21950-001A	CN COVER		
63	LV40846-018A	SPACER(F)		
64	LV42534-001A	CONNECT PTN	(x2)	
65	QYSPSPU1730MA	SCREW	M1.7 x 3mm	
66	LV35768-001A	REINFORCE PLATE		
67	QYSPSP2003MA	SCREW	M2 x 3mm(x2)	
68	LV32462-001A	OPEN LEVER		
69	LV42122-001A	TORSION SPRING		
70	LV32463-001A	DETACH LEVER		
71	LV42123-001A	DTCH LVR SHAFT		
72	LV42124-001A	TORSION SPRING		
73	LV40865-002A	MINI SCREW		
74	LV40865-002A	MINI SCREW	(x3)	

△	Symbol No.	Part No.	Part Name	Description	Local
	75	LV40865-002A	MINI SCREW	(x3)	
	76	LV40865-002A	MINI SCREW	(x2)	
	77	LV40865-002A	MINI SCREW	(x2)	
	78	LV40865-002A	MINI SCREW	(x2)	
	79	LV40865-002A	MINI SCREW	(x2)	
	80	LV42181-002A	SPECIAL SCREW	(x4)	
	81	LV21952-002A	PANEL ASSY		E
	81	LV21952-001A	PANEL ASSY		J
	81	LV21952-003A	PANEL ASSY		A,U,UN,UT
	82	LV11081-001A	REAR COVER		
	83	LV44171-001A	EARTH PLATE		
	84	QYSPSPU1730MA	SCREW	M1.7 x 3mm	
	85	LV35782-001A	BUTTON ASSY		
	86	LV35771-001A	BUTTON (DETACH)		
	87	LV44055-001A	COMPRESSION SPRING		
	88	LV35773-001A	BUTTON (OK)		
	89	LV35774-001A	BUTTON (DISP)		
	90	LV35775-001A	BUTTON (BACK)		
	91	LV35776-001A	CAP (POWER)		
	92	LV35777-001A	CAP (EJECT)		
	93	LV35778-001A	CAP (T/P)		
	94	LV35779-001A	BUTTON (POWER)		
	95	LV35780-001A	BUTTON (EJECT)		
	96	LV35781-001A	BUTTON (T/P)		
	97	LV43184-002A	JVC BADGE		
	98	VKZ4777-006	MINI SCREW	(x7)	
	99	VKZ4777-009	MINI SCREW	(x5)	
	100	LV44299-001A	SW PWB SHEET		
	101	LV40849-014A	SPACER(R)		
	102	QLD0366-001	LCD MODULE	LCD1	
	103	LV21954-001A	TFT CASE		
	104	QYSPSPU1730MA	SCREW	M1.7 x 3mm	
	105	LV21955-001A	TFT HOLDER		
	106	LV44172-002A	TFT SPACER	(x2)	
	107	QLL0169-001	LED MODULE		
	108	QAL0314-002	FPC		
	109	LV42420-001A	FPC SHEET		
	110	WJT0057-001A	E CARD WIRE		
	111	LV35855-001A	NAME PLATE		E
	111	LV35790-001A	NAME PLATE		J
	111	LV35856-001A	NAME PLATE		A,U,UN,UT
	112	LV41143-001A	SHEET		
	113	LV34352-009A	LABEL(DVD)		A
	113	LV34352-007A	LABEL(DVD)		E
	113	LV34352-006A	LABEL(DVD)		J
	113	LV34352-008A	LABEL(DVD)		U,UN,UT
	114	GE40101-001A	PIN CAP	(x12)	
	115	LV41843-002A	LASER CAUTION		A,E,U,UN,UT
	116	QUQ105-4510AC-E	FFC WIRE	45pin 10cm	
	117	QUQ105-3011AE-E	FFC WIRE	30pin 11cm	
	118	LV41993-002A	REG BKT		
	119	LV43967-001A	IC BRACKET		
	120	LV35769-001A	REAR HEAT SINK		
	121	LV35766-001A	REAR BRACKET		
	122	QYSDST2604ZA	TAP SCREW	M2.6 x 4mm	
	123	GE40235-001A	SCREW		
	124	QYSDST2604ZA	TAP SCREW	M2.6 x 4mm	
	125	GE40235-001A	SCREW		
	126	QYSDST2604ZA	TAP SCREW	M2.6 x 4mm(x2)	
	127	QYSDST2604ZA	TAP SCREW	M2.6 x 4mm	
	128	LV44204-001A	EARTH PLATE		
	129	QYSDSF2608ZA	TAP SCREW	M2.6 x 8mm	
	130	LV43966-001A	FAN BRACKET		
	131	QAR0294-001	FAN MOTOR	M861	
△	132	QMFZ039-150-T	FUSE	15A F901	
	133	QAM0702-001	CAR CABLE	W2	E,J
	133	QAM0703-001	CAR CABLE	W2	A,U,UN,UT
	134	LV41609-007A	SPACER(P)		
	135	LV35755-004A	UT LABEL		UT

# DVD mechanism assembly and parts list

Block No. M J M M



# DVD mechanism

Block No. [M][J][M][M]

△	Symbol No.	Part No.	Part Name	Description	Local
	1	VKZ4539-056	MINI SCREW	(x2)	
	2	QYSPSFT2040ZA	TAP SCREW	M2 x 4mm	
	3	LV43481-001A	COOLING RUBBER	(x2)	
	4	LV10674-001A	CHASSIS FRAME		
	5	LV30225-0J6A	SPACER	(x2)	
	6	VKZ4539-056	MINI SCREW		
	7	VYSA1R4-056	SPACER		
	8	LV33684-001A	DAMPER(F)	(x2)	
	9	LV33685-001A	DAMPER(R)		
	10	QYSDST2005ZA	TAP SCREW	M2 x 5mm(x3)	
	11	LV43039-001A	DAMPER SP.(R)		
	12	LV43040-001A	DAMPER SP.(F)	(x2)	
	13	LV43041-001A	FLOATING SPRING	(x2)	
	14	LV10675-001A	TOP COVER		
	15	LV30225-0J5A	SPACER		
	16	VKZ4539-056	MINI SCREW	(x2)	
	17	LV33669-001A	STOPPER	(x2)	
	18	VKZ4539-056	MINI SCREW	(x2)	
	19	LV21297-002A	CHAS. BASE ASSY		
	20	LV33608-001A	GEAR HOLDER		
	21	VKZ4539-056	MINI SCREW		
	22	LV43561-002A	ABSORBER		
	23	LV30225-0J5A	SPACER		
	24	LV33683-003A	SLIDE CAM ASSY		
	25	LV33610-001A	FLOATING ARM		
	26	LV33611-001A	CONNECT ARM		
	27	LV33678-003A	LOADING A. ASSY		
	28	LV43049-001A	LOADING SHAFT		
	29	LV43052-003A	ROLLER	(x2)	
	30	LV33612-001A	LOADING GEAR		
	31	QYWFM124013	WASHER	4mm/1.2mm x 0.13mm	
	32	LV43053-002A	ROD(L)		
	33	LV43054-003A	ROD(R)		
	34	LV43001-001A	COLLAR	(x2)	
	35	LV21285-003A	PROTECTOR		
	36	LV43055-001A	PROTECTOR SP.		
	37	QAR0144-003	MOTOR		
	38	LV43002-002A	WORM GEAR		
	39	QYSPSPT2025MA	SCREW	M2 x 2.5mm(x2)	
	40	LV33679-001A	MOTOR H. ASSY		
	41	LV33614-002A	WORM WHEEL		
	42	QYWDL1230250	SLIT WASHER	3mm/1.2mm x 0.25mm	
	43	VKZ4539-056	MINI SCREW	(x2)	
	44	LV33615-001A	GEAR 2		
	45	LV43057-003A	IDLER ARM ASSY		
	46	QYWDL1635252	SLIT WASHER	3.5mm/1.6mm x 0.25mm	
	47	LV21286-001A	CONTROL CAM		
	48	QYWDL1230196	SLIT WASHER	3mm/1.2mm x 0.19mm	
	49	LV33616-001A	LOAD.LOCK LEVER		
	50	LV43060-001A	CAM SPRING		
	51	LV43005-001A	GEAR 4		
	52	LV43006-001A	GEAR 5		
	53	LV33617-001A	GEAR 6		
	54	LV33618-002A	LOADING G. ARM		
	55	QYWDL1635252	SLIT WASHER	3.5mm/1.6mm x 0.25mm	
	56	LV43007-001A	GEAR 7		
	57	LV33619-002A	GEAR 8		
	58	LV42132-001A	E RING		
	59	QYWFM215013	WASHER	5mm/2.1mm x 0.13mm	
	60	LV33620-001A	GEAR 9		
	61	LV43008-001A	GEAR10		
	62	LV43061-001A	LOAD SPRING		
	63	LV33621-001A	FEED GEAR		
	64	LV33622-001A	TRIGGER ARM		
	65	LV43062-001A	FEED TRI.SPRING		
	66	QAR0240-001	SPINDLE MOTOR		
	67	LV21287-002A	SPINDLE BASE		
	68	LV44169-001A	SPECIAL SCREW	(x2)	
	69	VKZ4539-056	MINI SCREW	(x2)	
	70	QAL0647-002	DVD PICK UP		
	71	LV33623-002A	RACK PLATE		
	72	LV43009-001A	RACK SPRING		
	73	QYSPSPT1740NA	SCREW	M1.7 x 4mm	
	74	LV43037-001A	LEAD SCREW		

Symbol No.	Part No.	Part Name	Description	Local
75	LV43010-001A	L.S.GEAR		
76	LV43063-001A	L.S.COLLAR		
77	LV43011-001A	THRUST SPRING		
78	QYSPSFT2040ZA	TAP SCREW	M2 x 4mm	
79	LV33624-001A	HOLDER(M)		
80	VKZ4539-056	MINI SCREW	(x2)	
81	LV21288-001A	HOLDER(S)		
82	VKZ4539-056	MINI SCREW	(x2)	
83	LV43064-001A	ROD(M)		
84	LV43065-001A	ROD(S)		
85	LV43066-001A	SUB SHAFT		
86	VKZ4730-002	SPECIAL SCREW	(x3)	
87	LV21298-007A	CLAMPER UNIT		
88	LV43070-001A	CLAMPER SPRING		
89	LV43355-001A	CLAMPER2 SPRING		
90	LV30225-0J6A	SPACER		
91	LV21299-006A	FRONT UNIT		
92	VKZ4539-056	MINI SCREW		
93	LVB30012-001A	SW FPC		
94	NSW0187-001	SWITCH		
95	NSW0187-001	SWITCH		
96	NSW0187-001	SWITCH		
97	VKZ4539-055	MINI SCREW	(x2)	
98	LV44232-001A	GRAPHITE SHEET		



# Electrical parts list

## Main board

Block No. [0][1]					Symbol No.	Part No.	Part Name	Description	Local
△	Symbol No.	Part No.	Part Name	Description	Local				
	IC31	SAA6579T-X	IC		E				
	IC131	NJM2160BV-X	IC						
	IC231	NJM2160BV-X	IC						
	IC301	LC75344M-X	IC						
	IC302	NJM4565V-X	IC						
	IC321	TDA7416	IC						
	IC322	NJM4565V-X	IC						
	IC331	NJM4565V-X	IC						
	IC332	CD4053BPW-X	IC						
	IC371	TB2906HQ	IC						
△	IC701	UPD784217AGC315	IC						
	IC721	BR24L32F-W-X	IC		E				
	IC721	BR24L16F-W-X	IC		A,J,U, UN,U T				
	IC731	S-80833CNNB-G-W	IC						
	IC741	SN74AHCT1G08V-X	IC						
△	IC801	HA13164A	IC						
	IC811	NJM2360AM-X	IC						
	IC821	BD3930FP-X	IC						
	IC822	BD9781HFP-W	IC						
	IC823	BH33MA3WHFV-W	IC						
	IC824	BA00BC0WFP-X	IC(DIGITAL)						
	IC881	BA6956AN	IC						
	IC912	TOTX177L	OPT TRANSMITTER						
	IC921	MM1228XF-X	IC						
	IC931	MM1228XF-X	IC						
	IC941	SN74AHC126NS-X	IC						
	IC971	SN74LVC32APW-X	IC						
	IC972	SN74HCT32APW-X	IC						
	Q1	2SC3928A/QR-X	TRANSISTOR		E				
	Q2	2SC3928A/QR-X	TRANSISTOR		E				
	Q3	RT1N141C-X	TRANSISTOR						
	Q4	2SB624/4-X	TRANSISTOR						
	Q5	2SA1530A/QR-X	TRANSISTOR						
	Q6	RT1N141C-X	TRANSISTOR		E				
	Q7	2SC3928A/QR-X	TRANSISTOR		E				
	Q8	RT1P141C-X	TRANSISTOR		E				
	Q9	RT1P141C-X	TRANSISTOR		E				
	Q10	RT1P141C-X	TRANSISTOR		E				
	Q101	2SD1781K/QR-X	TRANSISTOR						
	Q111	2SC3928A/QR-X	TRANSISTOR		E				
	Q151	2SD2114K/VW/-X	TRANSISTOR						
	Q161	2SD2114K/VW/-X	TRANSISTOR						
	Q201	2SD1781K/QR-X	TRANSISTOR						
	Q211	2SC3928A/QR-X	TRANSISTOR		E				
	Q251	2SD2114K/VW/-X	TRANSISTOR						
	Q261	2SD2114K/VW/-X	TRANSISTOR						
	Q341	2SD1781K/QR-X	TRANSISTOR						
	Q371	RT1N441C-X	TRANSISTOR						
	Q372	RT1P441C-X	TRANSISTOR						
	Q373	RT1N141C-X	TRANSISTOR						
	Q374	2SC3928A/QR-X	TRANSISTOR						
	Q801	2SB1132/QR/-W	TRANSISTOR						
	Q802	RT1N141C-X	TRANSISTOR						
	Q821	2SB1132/QR/-W	TRANSISTOR						
	Q822	RT1N141C-X	TRANSISTOR						
	Q825	2SA1530A/QR/-X	TRANSISTOR						
	Q827	RT1N141C-X	TRANSISTOR						
	Q841	RT1P141C-X	TRANSISTOR						
	Q842	RT1P141C-X	TRANSISTOR						
	Q843	RT1P141C-X	TRANSISTOR						
	Q844	RT1P141C-X	TRANSISTOR						
	Q845	RT1N141C-X	TRANSISTOR						
	Q847	2SC3928A/QR/-X	TRANSISTOR						
	Q848	RT1N141C-X	TRANSISTOR						
	Q849	RT1N141C-X	TRANSISTOR						
	Q861	2SD1994A/RS/-T	TRANSISTOR						
	Q862	RT1P141C-X	TRANSISTOR						
	Q863	RT1N141C-X	TRANSISTOR						
	Q881	RT1N141C-X	TRANSISTOR						
	Q951	RT1N141C-X	TRANSISTOR						
	Q952	2SA1530A/QR/-X	TRANSISTOR						
	Q953	RT1N441C-X	TRANSISTOR						
	Q991	2SC3928A/QR/-X	TRANSISTOR						
	D1	MC2838-X	DIODE						
	D2	1SS355-X	SI DIODE						
	D3	1SS355-X	SI DIODE						
	D151	MC2836-X	DIODE						
	D251	MC2836-X	DIODE						
	D301	MC2836-X	DIODE						
	D342	1SS355-X	SI DIODE						
	D371	UDZS11B-X	Z DIODE						
	D731	1SS355-X	SI DIODE						
	D802	1SS355-X	SI DIODE						
	D811	RB160M-30-X	SB DIODE						
	D821	RB051L-40-X	SB DIODE						
	D822	RB051L-40-X	SB DIODE						
	D823	RB160M-30-X	SB DIODE						
	D825	RB160M-30-X	SB DIODE						
	D841	UDZS11B-X	Z DIODE						
	D842	MC2836-X	DIODE						
	D843	1SS355-X	SI DIODE						
	D844	MC2836-X	DIODE						
	D845	1SS355-X	SI DIODE						
	D846	MC2836-X	DIODE						
	D847	1SS355-X	SI DIODE						
	D861	RB160M-30-X	SB DIODE						
	D862	UDZS12B-X	Z DIODE						
	D871	UDZS6.2B-X	Z DIODE						
	D881	UDZS4.7B-X	Z DIODE						E,J
△	D901	1N5401-TU-15	DIODE						
	D961	UDZS6.2B-X	Z DIODE						
	D962	UDZS6.2B-X	Z DIODE						
	D963	UDZS6.2B-X	Z DIODE						
	D964	UDZS6.2B-X	Z DIODE						
	D965	UDZS6.2B-X	Z DIODE						
	D966	UDZS6.2B-X	Z DIODE						
	D967	UDZS6.2B-X	Z DIODE						
	D968	UDZS6.2B-X	Z DIODE						
	D969	UDZS6.2B-X	Z DIODE						
	D981	RB160M-30-X	SB DIODE						
	D982	RB160M-30-X	SB DIODE						A,J,U, UN,U T
	D983	RB160M-30-X	SB DIODE						A,J,U, UN,U T
	D984	RB160M-30-X	SB DIODE						
	D991	SML-310LT/MN/-X	LED						
	D992	SML-310LT/MN/-X	LED						
	C1	QEKJ1HM-474Z	E CAPACITOR				0.47uF 50V M		E
	C2	NCB31CK-104X	C CAPACITOR				0.1uF 16V K		E
	C3	NCB31HK-472X	C CAPACITOR				4700pF 50V K		E
	C4	NCB31CK-103X	C CAPACITOR				0.01uF 16V K		E
	C5	NDC31HJ-331X	C CAPACITOR				330pF 50V J		E
	C5	NCB31CK-103X	C CAPACITOR				0.01uF 16V K		A,J,U, UN,U T
	C7	NCB31CK-473X	C CAPACITOR				0.047uF 16V K		
	C8	QERF1AM-107Z	E CAPACITOR				100uF 10V M		
	C9	QEKJ1HM-104Z	E CAPACITOR				0.1uF 50V M		
	C10	NDC31HJ-101X	C CAPACITOR				100pF 50V J		
	C11	NCB31CK-104X	C CAPACITOR				0.1uF 16V K		E
	C12	QERF1AM-107Z	E CAPACITOR				100uF 10V M		
	C14	QERF1AM-227Z	E CAPACITOR				220uF 10V M		
	C15	NCB31CK-103X	C CAPACITOR				0.01uF 16V K		
	C17	QERF1CM-476Z	E CAPACITOR				47uF 16V M		
	C18	NCB31CK-473X	C CAPACITOR				0.047uF 16V K		
	C19	QERF1CM-476Z	E CAPACITOR				47uF 16V M		
	C20	NCB31CK-103X	C CAPACITOR				0.01uF 16V K		
	C31	NCB31CK-103X	C CAPACITOR				0.01uF 16V K		E
	C32	QERF0JM-476Z	E CAPACITOR				47uF 6.3V M		E
	C33	NDC31HJ-470X	C CAPACITOR				47pF 50V J		E
	C34	NDC31HJ-820X	C CAPACITOR				82pF 50V J		E
	C35	NDC31HJ-561X	C CAPACITOR				560pF 50V J		E

△ Symbol No.	Part No.	Part Name	Description	Local	△ Symbol No.	Part No.	Part Name	Description	Local
C36	NCB31CK-223X	C CAPACITOR	0.022uF 16V K	E	C252	NDC31HJ-101X	C CAPACITOR	100pF 50V J	
C37	QERF1HM-225Z	E CAPACITOR	2.2uF 50V M	E	C261	QERF1EM-475Z	E CAPACITOR	4.7uF 25V M	
C101	NBE41AM-476X	TA E CAPACITOR	47uF 10V M		C262	NDC31HJ-101X	C CAPACITOR	100pF 50V J	
C102	QERF1EM-475Z	E CAPACITOR	4.7uF 25V M		C272	NFV81CM-105X	MF CAPACITOR	1uF 16V M	
C103	NDC31HJ-221X	C CAPACITOR	220pF 50V J		C273	NDC31HJ-101X	C CAPACITOR	100pF 50V J	
C104	NDC31HJ-101X	C CAPACITOR	100pF 50V J		C282	NFV81CM-105X	MF CAPACITOR	1uF 16V M	
C105	NDC31HJ-151X	C CAPACITOR	150pF 50V J		C283	NDC31HJ-101X	C CAPACITOR	100pF 50V J	
C106	QERF1EM-475Z	E CAPACITOR	4.7uF 25V M		C301	NBE21AM-226X	TA E CAPACITOR	22uF 10V M	
C108	NDC31HJ-101X	C CAPACITOR	100pF 50V J		C302	NCB31CK-104X	C CAPACITOR	0.1uF 16V K	
C109	QERF1EM-475Z	E CAPACITOR	4.7uF 25V M		C303	NBE41AM-476X	TA E CAPACITOR	47uF 10V M	
C111	NCB31CK-223X	C CAPACITOR	0.022uF 16V K	J	C304	NCB31CK-104X	C CAPACITOR	0.1uF 16V K	
				A,E,U,	C305	NBE41AM-476X	TA E CAPACITOR	47uF 10V M	
				UN,U	C308	NCB31CK-223X	C CAPACITOR	0.022uF 16V K	
				T	C315	NCB31CK-473X	C CAPACITOR	0.047uF 16V K	
C111	NCB31CK-153X	C CAPACITOR	0.015uF 16V K		C321	QERF1AM-107Z	E CAPACITOR	100uF 10V M	
C112	QERF1EM-475Z	E CAPACITOR	4.7uF 25V M		C322	NCB31CK-473X	C CAPACITOR	0.047uF 16V K	
C113	NDC31HJ-821X	C CAPACITOR	820pF 50V J		C323	QERF1CM-106Z	E CAPACITOR	10uF 16V M	
C115	NDC31HJ-101X	C CAPACITOR	100pF 50V J		C324	QERF1HM-105Z	E CAPACITOR	1uF 50V M	
C120	QERF1HM-105Z	E CAPACITOR	1uF 50V M		C325	NBE21AM-226X	TA E CAPACITOR	22uF 10V M	
C121	QERF1HM-105Z	E CAPACITOR	1uF 50V M		C326	NCB31CK-103X	C CAPACITOR	0.01uF 16V K	
C122	QERF1HM-105Z	E CAPACITOR	1uF 50V M		C327	QERF1CM-226Z	E CAPACITOR	22uF 16V M	
C124	QERF1HM-105Z	E CAPACITOR	1uF 50V M		C331	NCB31CK-103X	C CAPACITOR	0.01uF 16V K	
C125	NCB31CK-823X	C CAPACITOR	0.082uF 16V K		C332	QERF1CM-226Z	E CAPACITOR	22uF 16V M	
C126	NCB31CK-823X	C CAPACITOR	0.082uF 16V K		C333	NCB31CK-823X	C CAPACITOR	0.082uF 16V K	
C127	NBE41AM-476X	TA E CAPACITOR	47uF 10V M		C334	NBE41AM-476X	TA E CAPACITOR	47uF 10V M	
C129	QERF1EM-475Z	E CAPACITOR	4.7uF 25V M		C335	QERF1EM-475Z	E CAPACITOR	4.7uF 25V M	
C130	QERF1EM-475Z	E CAPACITOR	4.7uF 25V M		C336	NCB31CK-333X	C CAPACITOR	0.033uF 16V K	
C131	QERF1EM-475Z	E CAPACITOR	4.7uF 25V M		C337	NDC31HJ-221X	C CAPACITOR	220pF 50V J	
C140	QERF1EM-475Z	E CAPACITOR	4.7uF 25V M		C338	QERF1EM-475Z	E CAPACITOR	4.7uF 25V M	
C141	QERF1EM-475Z	E CAPACITOR	4.7uF 25V M		C339	NCB31CK-104X	C CAPACITOR	0.1uF 16V K	
C143	NCB31CK-104X	C CAPACITOR	0.1uF 16V K		C341	NCB31CK-102X	C CAPACITOR	1000pF 16V K	
C144	NCB31HK-152X	C CAPACITOR	1500pF 50V K		C343	NCB31CK-473X	C CAPACITOR	0.047uF 16V K	
C145	QERF1AM-107Z	E CAPACITOR	100uF 10V M		C362	NCB31CK-223X	C CAPACITOR	0.022uF 16V K	
C146	QERF1AM-107Z	E CAPACITOR	100uF 10V M		C371	NCB31CK-103X	C CAPACITOR	0.01uF 16V K	
C147	NCB31HK-152X	C CAPACITOR	1500pF 50V K		C372	QERF1CM-106Z	E CAPACITOR	10uF 16V M	
C148	NCB31CK-104X	C CAPACITOR	0.1uF 16V K		C373	QERF1EM-475Z	E CAPACITOR	4.7uF 25V M	
C149	QERF1CM-476Z	E CAPACITOR	47uF 16V M		C374	NCB31CK-103X	C CAPACITOR	0.01uF 16V K	
C151	QERF1EM-475Z	E CAPACITOR	4.7uF 25V M		C375	QERF1CM-476Z	E CAPACITOR	47uF 16V M	
C152	NDC31HJ-101X	C CAPACITOR	100pF 50V J		C376	QERF1CM-226Z	E CAPACITOR	22uF 16V M	
C161	QERF1EM-475Z	E CAPACITOR	4.7uF 25V M		C377	QERF1HM-225Z	E CAPACITOR	2.2uF 50V M	
C162	NDC31HJ-101X	C CAPACITOR	100pF 50V J		C701	NCB31CK-473X	C CAPACITOR	0.047uF 16V K	
C172	NFV81CM-105X	MF CAPACITOR	1uF 16V M		C702	QERF0JM-337Z	E CAPACITOR	330uF 6.3V M	
C173	NDC31HJ-101X	C CAPACITOR	100pF 50V J		C703	NCB31HK-471X	C CAPACITOR	470pF 50V K	
C182	NFV81CM-105X	MF CAPACITOR	1uF 16V M		C704	NCB31HK-471X	C CAPACITOR	470pF 50V K	
C183	NDC31HJ-101X	C CAPACITOR	100pF 50V J		C705	QERF0JM-337Z	E CAPACITOR	330uF 6.3V M	
C201	NBE41AM-476X	TA E CAPACITOR	47uF 10V M		C706	NDC31HJ-8R0X	C CAPACITOR	8pF 50V J	
C202	QERF1EM-475Z	E CAPACITOR	4.7uF 25V M		C707	NDC31HJ-270X	C CAPACITOR	27pF 50V J	
C203	NDC31HJ-221X	C CAPACITOR	220pF 50V J		C708	NDC31HJ-270X	C CAPACITOR	27pF 50V J	
C204	NDC31HJ-101X	C CAPACITOR	100pF 50V J		C709	NDC31HJ-220X	C CAPACITOR	22pF 50V J	
C205	NDC31HJ-151X	C CAPACITOR	150pF 50V J		C710	QERF0JM-337Z	E CAPACITOR	330uF 6.3V M	
C206	QERF1EM-475Z	E CAPACITOR	4.7uF 25V M		C711	QCFB1HZ-104Y	C CAPACITOR	0.1uF 50V Z	
C208	NDC31HJ-101X	C CAPACITOR	100pF 50V J		C721	NCB31HK-471X	C CAPACITOR	470pF 50V K	
C209	QERF1EM-475Z	E CAPACITOR	4.7uF 25V M		C731	NCB31CK-103X	C CAPACITOR	0.01uF 16V K	
C211	NCB31CK-223X	C CAPACITOR	0.022uF 16V K	J	C732	QERF0JM-476Z	E CAPACITOR	47uF 6.3V M	
				A,E,U,	C741	NCB31CK-103X	C CAPACITOR	0.01uF 16V K	
				UN,U	C801	QERF1CM-106Z	E CAPACITOR	10uF 16V M	
				T	C802	NCB31CK-104X	C CAPACITOR	0.1uF 16V K	
C211	NCB31CK-153X	C CAPACITOR	0.015uF 16V K		C803	QERF1AM-227Z	E CAPACITOR	220uF 10V M	
C212	QERF1EM-475Z	E CAPACITOR	4.7uF 25V M		C804	NCB31CK-104X	C CAPACITOR	0.1uF 16V K	
C213	NDC31HJ-821X	C CAPACITOR	820pF 50V J		C805	NCB31CK-103X	C CAPACITOR	0.01uF 16V K	
C215	NDC31HJ-101X	C CAPACITOR	100pF 50V J		C806	QERF1AM-227Z	E CAPACITOR	220uF 10V M	
C220	QERF1HM-105Z	E CAPACITOR	1uF 50V M		C807	QERF1CM-226Z	E CAPACITOR	22uF 16V M	
C221	QERF1HM-105Z	E CAPACITOR	1uF 50V M		C808	NCB31HK-102X	C CAPACITOR	1000pF 50V K	
C222	QERF1HM-105Z	E CAPACITOR	1uF 50V M		C809	QCFB1HZ-104Y	C CAPACITOR	0.1uF 50V Z	
C224	QERF1HM-105Z	E CAPACITOR	1uF 50V M		C811	QERF1CM-226Z	E CAPACITOR	22uF 16V M	
C225	NCB31CK-823X	C CAPACITOR	0.082uF 16V K		C812	QERF1CM-107Z	E CAPACITOR	100uF 16V M	
C226	NCB31CK-823X	C CAPACITOR	0.082uF 16V K		C813	NCB31CK-473X	C CAPACITOR	0.047uF 16V K	
C227	NBE41AM-476X	TA E CAPACITOR	47uF 10V M		C814	NCB31HK-102X	C CAPACITOR	1000pF 50V K	
C229	QERF1EM-475Z	E CAPACITOR	4.7uF 25V M		C815	QERF1CM-107Z	E CAPACITOR	100uF 16V M	
C230	QERF1EM-475Z	E CAPACITOR	4.7uF 25V M		C816	NDC31HJ-391X	C CAPACITOR	390pF 50V J	
C231	QERF1EM-475Z	E CAPACITOR	4.7uF 25V M						
C240	QERF1EM-475Z	E CAPACITOR	4.7uF 25V M		C816	NDC31HJ-271X	C CAPACITOR	270pF 50V J	E
C241	QERF1EM-475Z	E CAPACITOR	4.7uF 25V M						A,J,U,
C243	NCB31CK-104X	C CAPACITOR	0.1uF 16V K						UN,U
C244	NCB31HK-152X	C CAPACITOR	1500pF 50V K						T
C245	QERF1AM-107Z	E CAPACITOR	100uF 10V M		C817	QERF1AM-107Z	E CAPACITOR	100uF 10V M	
C246	QERF1AM-107Z	E CAPACITOR	100uF 10V M		C821	QERF1CM-107Z	E CAPACITOR	100uF 16V M	
C247	NCB31HK-152X	C CAPACITOR	1500pF 50V K		C822	QERF1AM-227Z	E CAPACITOR	220uF 10V M	
C248	NCB31CK-104X	C CAPACITOR	0.1uF 16V K		C823	NCB31CK-104X	C CAPACITOR	0.1uF 16V K	
C249	QERF1CM-476Z	E CAPACITOR	47uF 16V M		C824	NCB31HK-472X	C CAPACITOR	4700pF 50V K	
C251	QERF1EM-475Z	E CAPACITOR	4.7uF 25V M						

△ Symbol No.	Part No.	Part Name	Description	Local	△ Symbol No.	Part No.	Part Name	Description	Local
C826	QERF1CM-476Z	E CAPACITOR	47uF 16V M		R24	NRSA63J-103X	MG RESISTOR	10kΩ 1/16W J	
C827	QEZO595-477Z	E CAPACITOR	470uF		R31	NRSA63J-0R0X	MG RESISTOR	0Ω 1/16W J	E
C828	QEZO595-477Z	E CAPACITOR	470uF		R32	NRSA63J-0R0X	MG RESISTOR	0Ω 1/16W J	E
C829	NCB31CK-104X	C CAPACITOR	0.1uF 16V K		R35	NRSA63J-222X	MG RESISTOR	2.2kΩ 1/16W J	E
C830	NCB31CK-105X	C CAPACITOR	1uF 16V K		R36	NRSA63J-222X	MG RESISTOR	2.2kΩ 1/16W J	E
C831	QERF1AM-227Z	E CAPACITOR	220uF 10V M		R37	NRSA63J-222X	MG RESISTOR	2.2kΩ 1/16W J	E
C832	NCB31CK-103X	C CAPACITOR	0.01uF 16V K		R101	NRSA63J-223X	MG RESISTOR	22kΩ 1/16W J	
C834	NCB31CK-103X	C CAPACITOR	0.01uF 16V K		R102	NRSA63J-223X	MG RESISTOR	22kΩ 1/16W J	
C835	QERF1AM-107Z	E CAPACITOR	100uF 10V M		R103	NRSA63J-104X	MG RESISTOR	100kΩ 1/16W J	
C836	NCB31CK-103X	C CAPACITOR	0.01uF 16V K		R104	NRSA63J-472X	MG RESISTOR	4.7kΩ 1/16W J	
C837	QERF1AM-107Z	E CAPACITOR	100uF 10V M		R105	NRSA63J-183X	MG RESISTOR	18kΩ 1/16W J	
C838	NCB31CK-103X	C CAPACITOR	0.01uF 16V K		R106	NRSA63J-183X	MG RESISTOR	18kΩ 1/16W J	
C839	NDC21HJ-103X	C CAPACITOR	0.01uF 50V J		R107	NRSA63J-473X	MG RESISTOR	47kΩ 1/16W J	
C840	NCB11CK-225X	C CAPACITOR	2.2uF 16V K		R108	NRSA63J-102X	MG RESISTOR	1kΩ 1/16W J	
C841	QERF1CM-476Z	E CAPACITOR	47uF 16V M		R109	NRSA63J-101X	MG RESISTOR	100Ω 1/16W J	
C842	QERF0JM-476Z	E CAPACITOR	47uF 6.3V M		R110	NRSA63J-222X	MG RESISTOR	2.2kΩ 1/16W J	
C843	QERF0JM-476Z	E CAPACITOR	47uF 6.3V M		R111	NRSA63J-103X	MG RESISTOR	10kΩ 1/16W J	E
C844	QERF0JM-476Z	E CAPACITOR	47uF 6.3V M						A,J,U
C845	NCB31CK-104X	C CAPACITOR	0.1uF 16V K		R111	NRSA63J-822X	MG RESISTOR	8.2kΩ 1/16W J	UN,U
C847	QERF1CM-226Z	E CAPACITOR	22uF 16V M						T
C848	QERF1CM-106Z	E CAPACITOR	10uF 16V M		R112	NRSA63J-682X	MG RESISTOR	6.8kΩ 1/16W J	J
C849	QERF1CM-106Z	E CAPACITOR	10uF 16V M						A,E,U
C861	NCB31CK-104X	C CAPACITOR	0.1uF 16V K		R112	NRSA63J-273X	MG RESISTOR	27kΩ 1/16W J	UN,U
C862	QERF1CM-106Z	E CAPACITOR	10uF 16V M						T
C863	QERF1CM-106Z	E CAPACITOR	10uF 16V M		R113	NRSA63J-472X	MG RESISTOR	4.7kΩ 1/16W J	E
C864	NCB31CK-103X	C CAPACITOR	0.01uF 16V K		R115	NRSA63J-473X	MG RESISTOR	47kΩ 1/16W J	
C881	QERF1AM-107Z	E CAPACITOR	100uF 10V M		R121	NRSA63J-103X	MG RESISTOR	10kΩ 1/16W J	
C882	NCB31CK-473X	C CAPACITOR	0.047uF 16V K		R122	NRSA63J-103X	MG RESISTOR	10kΩ 1/16W J	
C901	QEZO675-338	E CAPACITOR	3300uF		R123	NRSA63J-223X	MG RESISTOR	22kΩ 1/16W J	
C902	QERF1HM-225Z	E CAPACITOR	2.2uF 50V M		R124	NRSA63J-473X	MG RESISTOR	47kΩ 1/16W J	
C914	QERF0JM-476Z	E CAPACITOR	47uF 6.3V M		R126	NRSA63J-0R0X	MG RESISTOR	0Ω 1/16W J	
C915	NDC31HJ-220X	C CAPACITOR	22pF 50V J		R130	NRSA63J-102X	MG RESISTOR	1kΩ 1/16W J	
C916	NCB31CK-103X	C CAPACITOR	0.01uF 16V K		R131	NRSA63J-104X	MG RESISTOR	100kΩ 1/16W J	
C921	NCB31CK-105X	C CAPACITOR	1uF 16V K		R132	NRSA63J-363X	MG RESISTOR	36kΩ 1/16W J	
C922	NCB31CK-473X	C CAPACITOR	0.047uF 16V K		R133	NRSA63J-243X	MG RESISTOR	24kΩ 1/16W J	
C923	QERF1AM-227Z	E CAPACITOR	220uF 10V M		R140	NRSA63J-102X	MG RESISTOR	1kΩ 1/16W J	
C924	QERF0JM-337Z	E CAPACITOR	330uF 6.3V M		R141	NRSA63J-104X	MG RESISTOR	100kΩ 1/16W J	
C925	NCB31CK-105X	C CAPACITOR	1uF 16V K		R142	NRSA63J-363X	MG RESISTOR	36kΩ 1/16W J	
C931	NCB31AK-105X	C CAPACITOR	1uF 10V K		R143	NRSA63J-243X	MG RESISTOR	24kΩ 1/16W J	
C932	NCB31CK-473X	C CAPACITOR	0.047uF 16V K		R151	NRSA63J-473X	MG RESISTOR	47kΩ 1/16W J	
C933	QERF1AM-227Z	E CAPACITOR	220uF 10V M		R152	NRSA63J-102X	MG RESISTOR	1kΩ 1/16W J	
C934	QERF0JM-337Z	E CAPACITOR	330uF 6.3V M		R153	NRSA63J-101X	MG RESISTOR	100Ω 1/16W J	
C935	NCB31AK-105X	C CAPACITOR	1uF 10V K		R154	NRSA63J-222X	MG RESISTOR	2.2kΩ 1/16W J	
C941	NDC31HJ-220X	C CAPACITOR	22pF 50V J		R161	NRSA63J-473X	MG RESISTOR	47kΩ 1/16W J	
C942	NCB31CK-473X	C CAPACITOR	0.047uF 16V K		R162	NRSA63J-102X	MG RESISTOR	1kΩ 1/16W J	
C943	NDC31HJ-220X	C CAPACITOR	22pF 50V J		R163	NRSA63J-101X	MG RESISTOR	100Ω 1/16W J	
C951	QERF1HM-104Z	E CAPACITOR	0.1uF 50V M		R164	NRSA63J-222X	MG RESISTOR	2.2kΩ 1/16W J	
C964	QERF1CM-226Z	E CAPACITOR	22uF 16V M		R171	NRSA63J-183X	MG RESISTOR	18kΩ 1/16W J	
C965	QERF1CM-226Z	E CAPACITOR	22uF 16V M		R172	NRSA63J-473X	MG RESISTOR	47kΩ 1/16W J	
C966	QERF1CM-476Z	E CAPACITOR	47uF 16V M		R173	NRSA63J-102X	MG RESISTOR	1kΩ 1/16W J	
C971	NCB31CK-104X	C CAPACITOR	0.1uF 16V K		R181	NRSA63J-183X	MG RESISTOR	18kΩ 1/16W J	
C972	NCB31CK-104X	C CAPACITOR	0.1uF 16V K		R182	NRSA63J-473X	MG RESISTOR	47kΩ 1/16W J	
					R183	NRSA63J-102X	MG RESISTOR	1kΩ 1/16W J	
C981	NCB31CK-104X	C CAPACITOR	0.1uF 16V K	A,J,U UN,U T	R201	NRSA63J-223X	MG RESISTOR	22kΩ 1/16W J	
					R202	NRSA63J-223X	MG RESISTOR	22kΩ 1/16W J	
C982	NCB31CK-104X	C CAPACITOR	0.1uF 16V K		R203	NRSA63J-104X	MG RESISTOR	100kΩ 1/16W J	
					R204	NRSA63J-472X	MG RESISTOR	4.7kΩ 1/16W J	
R1	NRSA63J-471X	MG RESISTOR	470Ω 1/16W J	E	R205	NRSA63J-183X	MG RESISTOR	18kΩ 1/16W J	
R2	NRSA63J-103X	MG RESISTOR	10kΩ 1/16W J	E	R206	NRSA63J-183X	MG RESISTOR	18kΩ 1/16W J	
R3	NRSA63J-103X	MG RESISTOR	10kΩ 1/16W J	E	R207	NRSA63J-473X	MG RESISTOR	47kΩ 1/16W J	
R4	NRSA63J-103X	MG RESISTOR	10kΩ 1/16W J	E	R208	NRSA63J-102X	MG RESISTOR	1kΩ 1/16W J	
R5	NRSA63J-222X	MG RESISTOR	2.2kΩ 1/16W J	E	R209	NRSA63J-101X	MG RESISTOR	100Ω 1/16W J	
R6	NRSA63J-473X	MG RESISTOR	47kΩ 1/16W J	E	R210	NRSA63J-222X	MG RESISTOR	2.2kΩ 1/16W J	
R7	NRSA63J-393X	MG RESISTOR	39kΩ 1/16W J	E	R211	NRSA63J-103X	MG RESISTOR	10kΩ 1/16W J	E
R8	NRSA63J-220X	MG RESISTOR	22Ω 1/16W J						A,J,U
R9	NRSA63J-220X	MG RESISTOR	22Ω 1/16W J		R211	NRSA63J-822X	MG RESISTOR	8.2kΩ 1/16W J	UN,U
R10	NRSA63J-473X	MG RESISTOR	47kΩ 1/16W J						T
R11	NRSA63J-472X	MG RESISTOR	4.7kΩ 1/16W J		R212	NRSA63J-682X	MG RESISTOR	6.8kΩ 1/16W J	J
R12	NRSA63J-473X	MG RESISTOR	47kΩ 1/16W J						A,E,U
R13	NRSA63J-332X	MG RESISTOR	3.3kΩ 1/16W J		R212	NRSA63J-273X	MG RESISTOR	27kΩ 1/16W J	UN,U
R14	NRSA63J-330X	MG RESISTOR	33Ω 1/16W J						T
									E
R17	NRSA63J-0R0X	MG RESISTOR	0Ω 1/16W J	A,J,U UN,U T	R213	NRSA63J-472X	MG RESISTOR	4.7kΩ 1/16W J	
					R215	NRSA63J-473X	MG RESISTOR	47kΩ 1/16W J	
R18	NRSA63J-472X	MG RESISTOR	4.7kΩ 1/16W J	E	R221	NRSA63J-103X	MG RESISTOR	10kΩ 1/16W J	
R19	NRSA63J-473X	MG RESISTOR	47kΩ 1/16W J	E	R222	NRSA63J-103X	MG RESISTOR	10kΩ 1/16W J	
R20	NRSA63J-473X	MG RESISTOR	47kΩ 1/16W J		R223	NRSA63J-223X	MG RESISTOR	22kΩ 1/16W J	
R21	NRSA63J-4R7X	MG RESISTOR	4.7Ω 1/16W J		R224	NRSA63J-473X	MG RESISTOR	47kΩ 1/16W J	
R23	NRSA63J-393X	MG RESISTOR	39kΩ 1/16W J		R226	NRSA63J-0R0X	MG RESISTOR	0Ω 1/16W J	
					R230	NRSA63J-102X	MG RESISTOR	1kΩ 1/16W J	

△ Symbol No.	Part No.	Part Name	Description	Local	△ Symbol No.	Part No.	Part Name	Description	Local
R231	NRSA63J-104X	MG RESISTOR	100kΩ 1/16W J						A,J,U
R232	NRSA63J-363X	MG RESISTOR	36kΩ 1/16W J		R721	NRSA63J-473X	MG RESISTOR	47kΩ 1/16W J	UN,U
R233	NRSA63J-243X	MG RESISTOR	24kΩ 1/16W J						T
R240	NRSA63J-102X	MG RESISTOR	1kΩ 1/16W J		R722	NRSA63J-103X	MG RESISTOR	10kΩ 1/16W J	
R241	NRSA63J-104X	MG RESISTOR	100kΩ 1/16W J		R723	NRSA63J-103X	MG RESISTOR	10kΩ 1/16W J	
R242	NRSA63J-363X	MG RESISTOR	36kΩ 1/16W J		R725	NRSA63J-102X	MG RESISTOR	1kΩ 1/16W J	
R243	NRSA63J-243X	MG RESISTOR	24kΩ 1/16W J		R726	NRSA63J-392X	MG RESISTOR	3.9kΩ 1/16W J	
R251	NRSA63J-473X	MG RESISTOR	47kΩ 1/16W J		R727	NRSA63J-392X	MG RESISTOR	3.9kΩ 1/16W J	
R252	NRSA63J-102X	MG RESISTOR	1kΩ 1/16W J		R728	NRSA63J-392X	MG RESISTOR	3.9kΩ 1/16W J	
R253	NRSA63J-101X	MG RESISTOR	100Ω 1/16W J		R729	NRSA63J-472X	MG RESISTOR	4.7kΩ 1/16W J	
R254	NRSA63J-222X	MG RESISTOR	2.2kΩ 1/16W J		R730	NRSA63J-472X	MG RESISTOR	4.7kΩ 1/16W J	
R261	NRSA63J-473X	MG RESISTOR	47kΩ 1/16W J		R731	NRSA63J-472X	MG RESISTOR	4.7kΩ 1/16W J	
R262	NRSA63J-102X	MG RESISTOR	1kΩ 1/16W J		R732	NRSA63J-102X	MG RESISTOR	1kΩ 1/16W J	
R263	NRSA63J-101X	MG RESISTOR	100Ω 1/16W J		R733	NRSA63J-103X	MG RESISTOR	10kΩ 1/16W J	
R264	NRSA63J-222X	MG RESISTOR	2.2kΩ 1/16W J		R734	NRSA63J-222X	MG RESISTOR	2.2kΩ 1/16W J	
R271	NRSA63J-183X	MG RESISTOR	18kΩ 1/16W J		R735	NRSA63J-222X	MG RESISTOR	2.2kΩ 1/16W J	
R272	NRSA63J-473X	MG RESISTOR	47kΩ 1/16W J		R736	NRSA63J-222X	MG RESISTOR	2.2kΩ 1/16W J	
R273	NRSA63J-102X	MG RESISTOR	1kΩ 1/16W J		R737	NRSA63J-222X	MG RESISTOR	2.2kΩ 1/16W J	
R281	NRSA63J-183X	MG RESISTOR	18kΩ 1/16W J		R738	NRSA63J-102X	MG RESISTOR	1kΩ 1/16W J	
R282	NRSA63J-473X	MG RESISTOR	47kΩ 1/16W J		R739	NRSA63J-0R0X	MG RESISTOR	0Ω 1/16W J	
R283	NRSA63J-102X	MG RESISTOR	1kΩ 1/16W J		R740	NRSA63J-271X	MG RESISTOR	270Ω 1/16W J	
R301	NRSA63J-100X	MG RESISTOR	10Ω 1/16W J		R741	NRSA63J-271X	MG RESISTOR	270Ω 1/16W J	
R302	NRSA63J-100X	MG RESISTOR	10Ω 1/16W J		R742	NRSA63J-103X	MG RESISTOR	10kΩ 1/16W J	
R303	NRSA63J-100X	MG RESISTOR	10Ω 1/16W J						
R315	NRSA63J-471X	MG RESISTOR	470Ω 1/16W J		R743	NRSA63J-473X	MG RESISTOR	47kΩ 1/16W J	A,E,U
R320	NRSA63J-0R0X	MG RESISTOR	0Ω 1/16W J						UN,U
R321	NRSA63J-473X	MG RESISTOR	47kΩ 1/16W J		R744	NRSA63J-103X	MG RESISTOR	10kΩ 1/16W J	T
R322	NRSA63J-473X	MG RESISTOR	47kΩ 1/16W J		R745	NRSA63J-473X	MG RESISTOR	47kΩ 1/16W J	
R323	NRSA63J-473X	MG RESISTOR	47kΩ 1/16W J		R746	NRSA63J-473X	MG RESISTOR	47kΩ 1/16W J	J
R324	NRSA63J-103X	MG RESISTOR	10kΩ 1/16W J		R747	NRSA63J-102X	MG RESISTOR	1kΩ 1/16W J	
R325	NRSA63J-221X	MG RESISTOR	220Ω 1/16W J		R748	NRSA63J-102X	MG RESISTOR	1kΩ 1/16W J	
R326	NRSA63J-222X	MG RESISTOR	2.2kΩ 1/16W J		R749	NRSA63J-222X	MG RESISTOR	2.2kΩ 1/16W J	
R327	NRSA63J-222X	MG RESISTOR	2.2kΩ 1/16W J		R750	NRSA63J-102X	MG RESISTOR	1kΩ 1/16W J	
R328	NRSA63J-222X	MG RESISTOR	2.2kΩ 1/16W J		R751	NRSA63J-222X	MG RESISTOR	2.2kΩ 1/16W J	
R329	NRSA63J-222X	MG RESISTOR	2.2kΩ 1/16W J		R752	NRSA63J-222X	MG RESISTOR	2.2kΩ 1/16W J	
R330	NRSA63J-0R0X	MG RESISTOR	0Ω 1/16W J		R753	NRSA63J-222X	MG RESISTOR	2.2kΩ 1/16W J	
R331	NRSA63J-0R0X	MG RESISTOR	0Ω 1/16W J		R754	NRSA63J-222X	MG RESISTOR	2.2kΩ 1/16W J	
R332	NRSA63J-103X	MG RESISTOR	10kΩ 1/16W J		R755	NRSA63J-222X	MG RESISTOR	2.2kΩ 1/16W J	
R333	NRSA63J-103X	MG RESISTOR	10kΩ 1/16W J		R756	NRSA63J-473X	MG RESISTOR	47kΩ 1/16W J	
R334	NRSA63J-683X	MG RESISTOR	68kΩ 1/16W J		R757	NRSA63J-473X	MG RESISTOR	47kΩ 1/16W J	
R335	NRSA63J-273X	MG RESISTOR	27kΩ 1/16W J		R758	NRSA63J-102X	MG RESISTOR	1kΩ 1/16W J	
R336	NRSA63J-683X	MG RESISTOR	68kΩ 1/16W J		R760	NRSA63J-102X	MG RESISTOR	1kΩ 1/16W J	
R337	NRSA63J-223X	MG RESISTOR	22kΩ 1/16W J		R761	NRSA63J-102X	MG RESISTOR	1kΩ 1/16W J	
R338	NRSA63J-223X	MG RESISTOR	22kΩ 1/16W J		R762	NRSA63J-102X	MG RESISTOR	1kΩ 1/16W J	
R339	NRSA63J-103X	MG RESISTOR	10kΩ 1/16W J		R763	NRSA63J-473X	MG RESISTOR	47kΩ 1/16W J	
R340	NRSA63J-103X	MG RESISTOR	10kΩ 1/16W J		R764	NRSA63J-102X	MG RESISTOR	1kΩ 1/16W J	
R341	NRSA63J-821X	MG RESISTOR	820Ω 1/16W J		R765	NRSA63J-102X	MG RESISTOR	1kΩ 1/16W J	
R342	NRSA63J-101X	MG RESISTOR	100Ω 1/16W J		R766	NRSA63J-102X	MG RESISTOR	1kΩ 1/16W J	
R343	NRSA63J-472X	MG RESISTOR	4.7kΩ 1/16W J		R767	NRSA63J-102X	MG RESISTOR	1kΩ 1/16W J	
R370	NRSA63J-473X	MG RESISTOR	47kΩ 1/16W J		R768	NRSA63J-562X	MG RESISTOR	5.6kΩ 1/16W J	
R371	NRSA63J-0R0X	MG RESISTOR	0Ω 1/16W J		R769	NRSA63J-102X	MG RESISTOR	1kΩ 1/16W J	
R372	NRSA63J-473X	MG RESISTOR	47kΩ 1/16W J		R770	NRSA63J-0R0X	MG RESISTOR	0Ω 1/16W J	
R373	NRSA63J-222X	MG RESISTOR	2.2kΩ 1/16W J		R771	NRSA63J-222X	MG RESISTOR	2.2kΩ 1/16W J	
R374	NRSA63J-100X	MG RESISTOR	10Ω 1/16W J		R772	NRSA63J-222X	MG RESISTOR	2.2kΩ 1/16W J	
R375	NRSA63J-273X	MG RESISTOR	27kΩ 1/16W J		R773	NRSA63J-222X	MG RESISTOR	2.2kΩ 1/16W J	
R376	NRSA63J-0R0X	MG RESISTOR	0Ω 1/16W J		R774	NRSA63J-103X	MG RESISTOR	10kΩ 1/16W J	
R377	NRSA63J-0R0X	MG RESISTOR	0Ω 1/16W J		R775	NRSA63J-0R0X	MG RESISTOR	0Ω 1/16W J	
R378	NRSA63J-103X	MG RESISTOR	10kΩ 1/16W J		R776	NRSA63J-0R0X	MG RESISTOR	0Ω 1/16W J	
R701	NRSA63J-222X	MG RESISTOR	2.2kΩ 1/16W J		R777	NRSA63J-0R0X	MG RESISTOR	0Ω 1/16W J	
R702	NRSA63J-222X	MG RESISTOR	2.2kΩ 1/16W J		R778	NRSA63J-0R0X	MG RESISTOR	0Ω 1/16W J	
R703	NRSA63J-222X	MG RESISTOR	2.2kΩ 1/16W J		R779	NRSA63J-0R0X	MG RESISTOR	0Ω 1/16W J	
R704	NRSA63J-821X	MG RESISTOR	820Ω 1/16W J		R782	NRSA63J-222X	MG RESISTOR	2.2kΩ 1/16W J	
R705	NRSA63J-106X	MG RESISTOR	10MΩ 1/16W J		R783	NRSA63J-472X	MG RESISTOR	4.7kΩ 1/16W J	
R706	NRSA63J-473X	MG RESISTOR	47kΩ 1/16W J		R784	NRSA63J-472X	MG RESISTOR	4.7kΩ 1/16W J	
R707	NRSA63J-222X	MG RESISTOR	2.2kΩ 1/16W J		R785	NRSA63J-473X	MG RESISTOR	47kΩ 1/16W J	E,J
R708	NRSA63J-333X	MG RESISTOR	33kΩ 1/16W J						A,J,U
R709	NRSA63J-223X	MG RESISTOR	22kΩ 1/16W J		R786	NRSA63J-473X	MG RESISTOR	47kΩ 1/16W J	UN,U
R710	NRSA63J-103X	MG RESISTOR	10kΩ 1/16W J						T
R711	NRSA63J-222X	MG RESISTOR	2.2kΩ 1/16W J		R787	NRSA63J-473X	MG RESISTOR	47kΩ 1/16W J	A,U,U
R712	NRSA63J-222X	MG RESISTOR	2.2kΩ 1/16W J		R788	NRSA63J-473X	MG RESISTOR	47kΩ 1/16W J	N,UT
R713	NRSA63J-222X	MG RESISTOR	2.2kΩ 1/16W J		R789	NRSA63J-222X	MG RESISTOR	2.2kΩ 1/16W J	E
R714	NRSA63J-472X	MG RESISTOR	4.7kΩ 1/16W J		R790	NRSA63J-473X	MG RESISTOR	47kΩ 1/16W J	
R715	NRSA63J-102X	MG RESISTOR	1kΩ 1/16W J		R791	NRSA63J-822X	MG RESISTOR	8.2kΩ 1/16W J	
R716	NRSA63J-472X	MG RESISTOR	4.7kΩ 1/16W J		R792	NRSA63J-822X	MG RESISTOR	8.2kΩ 1/16W J	
R717	NRSA63J-472X	MG RESISTOR	4.7kΩ 1/16W J		R793	NRSA63J-822X	MG RESISTOR	8.2kΩ 1/16W J	
R718	NRSA63J-103X	MG RESISTOR	10kΩ 1/16W J		R794	NRSA63J-104X	MG RESISTOR	100kΩ 1/16W J	
R719	NRSA63J-103X	MG RESISTOR	10kΩ 1/16W J		R801	NRSA63J-562X	MG RESISTOR	5.6kΩ 1/16W J	
R720	NRSA63J-103X	MG RESISTOR	10kΩ 1/16W J	E	R803	NRSA63J-102X	MG RESISTOR	1kΩ 1/16W J	

△ Symbol No.	Part No.	Part Name	Description	Local	△ Symbol No.	Part No.	Part Name	Description	Local
R804	NRSA63J-223X	MG RESISTOR	22kΩ 1/16W J		R937	NRSA63J-0R0X	MG RESISTOR	0Ω 1/16W J	
R805	NRSA63J-391X	MG RESISTOR	390kΩ 1/16W J		R938	NRSA63J-105X	MG RESISTOR	1MΩ 1/16W J	
R806	NRSA63J-0R0X	MG RESISTOR	0Ω 1/16W J		R939	NRSA63J-105X	MG RESISTOR	1MΩ 1/16W J	
R807	NRS144J-220X	MG RESISTOR	22Ω 1/4W J		R940	NRSA63J-473X	MG RESISTOR	47kΩ 1/16W J	
R808	NRS144J-220X	MG RESISTOR	22Ω 1/4W J		R941	NRSA63J-473X	MG RESISTOR	47kΩ 1/16W J	
R810	NRSA63J-2R2X	MG RESISTOR	2.2Ω 1/16W J		R942	NRSA63J-101X	MG RESISTOR	100Ω 1/16W J	
R811	NRSA63J-2R2X	MG RESISTOR	2.2Ω 1/16W J		R943	NRSA63J-223X	MG RESISTOR	22kΩ 1/16W J	
R812	NRSA63J-2R2X	MG RESISTOR	2.2Ω 1/16W J		R944	NRSA63J-104X	MG RESISTOR	100kΩ 1/16W J	
R813	NRSA63J-2R2X	MG RESISTOR	2.2Ω 1/16W J		R945	NRSA63J-103X	MG RESISTOR	10kΩ 1/16W J	
R814	NRSA63J-181X	MG RESISTOR	180Ω 1/16W J		R946	NRSA63J-104X	MG RESISTOR	100kΩ 1/16W J	
R815	NRSA63J-102X	MG RESISTOR	1kΩ 1/16W J		R947	NRSA63J-331X	MG RESISTOR	330Ω 1/16W J	
R816	NRSA63J-393X	MG RESISTOR	39kΩ 1/16W J		R948	NRSA63J-223X	MG RESISTOR	22kΩ 1/16W J	
R819	NRSA63J-392X	MG RESISTOR	3.9kΩ 1/16W J		R949	NRSA63J-101X	MG RESISTOR	100Ω 1/16W J	
R821	NRSA63J-0R0X	MG RESISTOR	0Ω 1/16W J		R951	NRSA63J-392X	MG RESISTOR	3.9kΩ 1/16W J	
R822	NRSA63J-104X	MG RESISTOR	100kΩ 1/16W J		R952	NRSA63J-392X	MG RESISTOR	3.9kΩ 1/16W J	
R823	NRSA63J-124X	MG RESISTOR	120kΩ 1/16W J		R953	NRSA63J-392X	MG RESISTOR	3.9kΩ 1/16W J	
R824	NRSA63J-123X	MG RESISTOR	12kΩ 1/16W J		R954	NRSA63J-392X	MG RESISTOR	3.9kΩ 1/16W J	
R825	NRSA63J-393X	MG RESISTOR	39kΩ 1/16W J		R955	NRSA63J-183X	MG RESISTOR	18kΩ 1/16W J	
R826	NRSA63J-393X	MG RESISTOR	39kΩ 1/16W J		R956	NRSA63J-563X	MG RESISTOR	56kΩ 1/16W J	
R828	NRSA63J-223X	MG RESISTOR	22kΩ 1/16W J		R960	NRSA63J-101X	MG RESISTOR	100Ω 1/16W J	
R829	NRSA63J-221X	MG RESISTOR	220Ω 1/16W J		R961	NRSA63J-0R0X	MG RESISTOR	0Ω 1/16W J	
R830	NRSA63J-103X	MG RESISTOR	10kΩ 1/16W J		R963	NRSA63J-0R0X	MG RESISTOR	0Ω 1/16W J	
R833	NRSA63J-103X	MG RESISTOR	10kΩ 1/16W J		R964	NRSA63J-0R0X	MG RESISTOR	0Ω 1/16W J	
R834	NRSA63J-333X	MG RESISTOR	33kΩ 1/16W J		R965	NRSA63J-0R0X	MG RESISTOR	0Ω 1/16W J	
R835	NRSA63J-333X	MG RESISTOR	33kΩ 1/16W J		R966	NRSA63J-0R0X	MG RESISTOR	0Ω 1/16W J	
R836	NRSA63J-473X	MG RESISTOR	47kΩ 1/16W J		R968	NRSA63J-332X	MG RESISTOR	3.3kΩ 1/16W J	
R837	NRSA63J-222X	MG RESISTOR	2.2kΩ 1/16W J		R969	NRSA63J-0R0X	MG RESISTOR	0Ω 1/16W J	
R839	NRSA63J-221X	MG RESISTOR	220Ω 1/16W J		R970	NRSA63J-332X	MG RESISTOR	3.3kΩ 1/16W J	
R841	NRSA63J-471X	MG RESISTOR	470Ω 1/16W J		R972	NRSA63J-0R0X	MG RESISTOR	0Ω 1/16W J	
R842	NRSA63J-471X	MG RESISTOR	470Ω 1/16W J		R973	NRSA63J-0R0X	MG RESISTOR	0Ω 1/16W J	
R843	NRSA63J-471X	MG RESISTOR	470Ω 1/16W J		R974	NRSA63J-0R0X	MG RESISTOR	0Ω 1/16W J	
R844	NRSA63J-473X	MG RESISTOR	47kΩ 1/16W J		R975	NRSA63J-0R0X	MG RESISTOR	0Ω 1/16W J	
R845	NRSA63J-102X	MG RESISTOR	1kΩ 1/16W J		R976	NRSA63J-103X	MG RESISTOR	10kΩ 1/16W J	
R847	NRSA63J-473X	MG RESISTOR	47kΩ 1/16W J		R977	NRSA63J-103X	MG RESISTOR	10kΩ 1/16W J	
R848	NRSA63J-103X	MG RESISTOR	10kΩ 1/16W J		R978	NRSA63J-103X	MG RESISTOR	10kΩ 1/16W J	
R849	NRSA63J-473X	MG RESISTOR	47kΩ 1/16W J		R979	NRSA63J-0R0X	MG RESISTOR	0Ω 1/16W J	
R850	NRSA63J-472X	MG RESISTOR	4.7kΩ 1/16W J		R981	NRS181J-222X	MG RESISTOR	2.2kΩ 1/8W J	
R851	NRSA63J-0R0X	MG RESISTOR	0Ω 1/16W J		R982	NRS181J-222X	MG RESISTOR	2.2kΩ 1/8W J	
R852	NRSA63J-103X	MG RESISTOR	10kΩ 1/16W J						
R853	NRSA63J-473X	MG RESISTOR	47kΩ 1/16W J		R983	NRSA63J-472X	MG RESISTOR	4.7kΩ 1/16W J	A,J,U UN,U T
R855	NRSA63J-0R0X	MG RESISTOR	0Ω 1/16W J						
R856	NRSA63J-103X	MG RESISTOR	10kΩ 1/16W J		R991	NRSA63J-103X	MG RESISTOR	10kΩ 1/16W J	
R857	NRSA63J-0R0X	MG RESISTOR	0Ω 1/16W J		R992	NRSA63J-101X	MG RESISTOR	100Ω 1/16W J	
R858	NRSA63J-0R0X	MG RESISTOR	0Ω 1/16W J		R993	NRSA63J-392X	MG RESISTOR	3.9kΩ 1/16W J	
R859	NRSA63J-104X	MG RESISTOR	100kΩ 1/16W J		R994	NRSA63J-392X	MG RESISTOR	3.9kΩ 1/16W J	
R861	NRSA63J-220X	MG RESISTOR	22Ω 1/16W J		R995	NRSA63J-392X	MG RESISTOR	3.9kΩ 1/16W J	
R862	NRSA63J-220X	MG RESISTOR	22Ω 1/16W J		R996	NRSA63J-392X	MG RESISTOR	3.9kΩ 1/16W J	
R863	NRSA63J-471X	MG RESISTOR	470Ω 1/16W J		R9001	NRSA63J-221X	MG RESISTOR	220Ω 1/16W J	
R871	NRSA63J-0R0X	MG RESISTOR	0Ω 1/16W J	E,J	R9011	NRSA63J-0R0X	MG RESISTOR	0Ω 1/16W J	
R872	NRSA63J-271X	MG RESISTOR	270Ω 1/16W J	E,J	R9012	NRSA63J-0R0X	MG RESISTOR	0Ω 1/16W J	
R881	NRSA63J-102X	MG RESISTOR	1kΩ 1/16W J		R9013	NRSA63J-0R0X	MG RESISTOR	0Ω 1/16W J	
R891	NRSA63J-822X	MG RESISTOR	8.2kΩ 1/16W J		RA721	NRZ0065-222X	NET RESISTOR	2.2kΩ	
R892	NRSA63J-392X	MG RESISTOR	3.9kΩ 1/16W J		RA722	NRZ0065-222X	NET RESISTOR	2.2kΩ	
R893	NRSA63J-222X	MG RESISTOR	2.2kΩ 1/16W J		VR811	QVP0033-331Z	TRIM RESISTOR	330Ω	
R894	NRSA63J-152X	MG RESISTOR	1.5kΩ 1/16W J						
R895	NRSA63J-122X	MG RESISTOR	1.2kΩ 1/16W J		L1	NQL334J-4R7X	COIL	4.7uH J	
R901	QRE142J-102X	C RESISTOR	1kΩ 1/4W J		L101	NQR0022-005X	FERRITE BEADS		
R902	NRSA63J-912X	MG RESISTOR	9.1kΩ 1/16W J		L201	NQR0022-005X	FERRITE BEADS		
R903	NRSA63J-472X	MG RESISTOR	4.7kΩ 1/16W J		L301	NQR0022-005X	FERRITE BEADS		
R913	NRSA63J-0R0X	MG RESISTOR	0Ω 1/16W J		L701	NQL79GM-470X	COIL	47uH M	
R914	NRSA63J-2R2X	MG RESISTOR	2.2Ω 1/16W J		L702	NQL79GM-100X	COIL	10uH M	
R915	NRSA63J-0R0X	MG RESISTOR	0Ω 1/16W J		L811	NQLZ007-151X	COIL	150uH	
R920	NRSA63J-682X	MG RESISTOR	6.8kΩ 1/16W J		L821	QQR0621-001Z	FERRITE BEADS		
R921	NRSA63J-0R0X	MG RESISTOR	0Ω 1/16W J		L822	NQL63EM-470X	COIL	47uH M	
R922	NRSA63J-181X	MG RESISTOR	180Ω 1/16W J		L824	NQL79GM-220X	COIL	22uH M	
R923	NRSA63J-105X	MG RESISTOR	1MΩ 1/16W J		L825	NQL79GM-220X	COIL	22uH M	
R924	NRSA63J-100X	MG RESISTOR	10Ω 1/16W J		L826	NQL79GM-220X	COIL	22uH M	
R925	NRSA63J-102X	MG RESISTOR	1kΩ 1/16W J		L827	NQL79GM-220X	COIL	22uH M	
R926	NRSA63J-151X	MG RESISTOR	150Ω 1/16W J		L828	NQL79GM-220X	COIL	22uH M	
R927	NRSA63J-0R0X	MG RESISTOR	0Ω 1/16W J		L921	NQL79GM-470X	COIL	47uH M	
R928	NRSA63J-105X	MG RESISTOR	1MΩ 1/16W J		L931	NQL79GM-470X	COIL	47uH M	
R929	NRSA63J-105X	MG RESISTOR	1MΩ 1/16W J		L961	NQL76EM-220X	COIL	22uH M	
R931	NRSA63J-0R0X	MG RESISTOR	0Ω 1/16W J		L962	NQL79GM-4R7X	COIL	4.7uH M	
R932	NRSA63J-750X	MG RESISTOR	75Ω 1/16W J						
R933	NRSA63J-105X	MG RESISTOR	1MΩ 1/16W J		BZ951	QAN0023-001Z	BUZZER		
R934	NRSA63J-100X	MG RESISTOR	10Ω 1/16W J		CN301	QGA2501C3-04Z	CONNECTOR	W-B (1-4)	
R935	NRSA63J-102X	MG RESISTOR	1kΩ 1/16W J		CN311	QGA2501C1-06	CONNECTOR	W-B (1-6)	
R936	NRSA63J-750X	MG RESISTOR	75Ω 1/16W J		CN361	QGA2501C1-07	CONNECTOR	W-B (1-7)	

△ Symbol No.	Part No.	Part Name	Description	Local	△ Symbol No.	Part No.	Part Name	Description	Local
CN860	QNZ0095-001	CONNECTOR			D401	NECBB205/WQR/-X	E CAPACITOR	#NCVpF 0	
CN861	QGA2001C1-02	CONNECTOR	W-B (1-2)		D402	NECBB205/WQR/-X	E CAPACITOR	#NCVpF 0	
CN871	QGA2501C1-02	CONNECTOR	W-B (1-2)	E,J	D403	NECBB205/WQR/-X	E CAPACITOR	#NCVpF 0	
CN881	QGA2501C1-02	CONNECTOR	W-B (1-2)		D404	NECBB205/WQR/-X	E CAPACITOR	#NCVpF 0	
CN891	QGF0523F1-07W	CONNECTOR	FFC/FPC (1-7)		D405	NECBB205/WQR/-X	E CAPACITOR	#NCVpF 0	
CN901	QNZ0607-001	CAR CONNECTOR			D406	NECBB205/WQR/-X	E CAPACITOR	#NCVpF 0	
CN931	QGA2501C1-04	CONNECTOR	W-B (1-4)		D407	NECBB205/WQR/-X	E CAPACITOR	#NCVpF 0	
CN961	QGB2027M5-30S	CONNECTOR	B-B (1-30)		D408	NECBB205/WQR/-X	E CAPACITOR	#NCVpF 0	
CN962	QGF1041C1-20W	CONNECTOR	FFC/FPC (1-20)		D409	SML310BA1T/HJ-X	LED		
CN965	QGF0523F1-45W	CONNECTOR	FFC/FPC (1-45)		D410	SML310BA1T/HJ-X	LED		
CN966	QGB2027L8-30X	CONNECTOR	B-B (1-30)		D411	SML310BA1T/HJ-X	LED		
K871	NQR0022-005X	FERRITE BEADS		E,J	D412	SML310BA1T/HJ-X	LED		
K912	NQR0022-005X	FERRITE BEADS			D413	SML310BA1T/HJ-X	LED		
K913	NQR0022-005X	FERRITE BEADS			D414	SML-310LT/MN/-X	LED		
K921	NQR0201-004X	FERRITE BEADS			D415	MC2838-X	DIODE		
K931	NQR0201-004X	FERRITE BEADS			D501	1SS355-X	SI DIODE		
K932	NQR0201-004X	FERRITE BEADS			D502	MC2836-X	DIODE		
PP1	QZW0010-001	STYLE PIN			D582	UDZS5.6B-X	Z DIODE	1.5kΩ 1/10W J	
PP6	QZW0010-001	STYLE PIN			D583	UDZS5.6B-X	Z DIODE	1.5kΩ 1/10W J	
PP7	QZW0010-001	STYLE PIN			D584	UDZS5.6B-X	Z DIODE	1.5kΩ 1/10W J	
PP8	QZW0010-001	STYLE PIN			D585	UDZS5.6B-X	Z DIODE	1.5kΩ 1/10W J	
PP10	QZW0010-001	STYLE PIN			D586	UDZS5.6B-X	Z DIODE	1.5kΩ 1/10W J	
PP11	QZW0010-001	STYLE PIN			D587	UDZS5.6B-X	Z DIODE	1.5kΩ 1/10W J	
PP12	QZW0010-001	STYLE PIN			D588	UDZS5.6B-X	Z DIODE	1.5kΩ 1/10W J	
PP13	QZW0010-001	STYLE PIN			D4001	UDZS5.6B-X	Z DIODE	1.5kΩ 1/10W J	
TH721	NAD0028-103X	N THERMISTOR	10kΩ		D6652	UDZS8.2B-X	Z DIODE		
△ TU1	QAU0404-001	TUNER		E	D6653	RB160M-30-X	SB DIODE		
△ TU1	QAU0403-001	TUNER		A,J,U, UN,U T	D6701	1SS355-X	SI DIODE		
W1	QAM0556-001	ANT CABLE			D6702	1SS355-X	SI DIODE		
X31	QAX0263-001Z	CRYSTAL	4.332MHz	E	D6901	MA2SV03-X	VARI CAP DIODE		
X701	QAX0617-001Z	CRYSTAL	12.500MHz		C471	NCB31CK-104X	C CAPACITOR	0.1uF 16V K	
X702	QAX0401-001	CRYSTAL	32.768KHz		C472	NCB31CK-103X	C CAPACITOR	0.01uF 16V K	

## Panel board

Block No. [0][2]

△ Symbol No.	Part No.	Part Name	Description	Local	△ Symbol No.	Part No.	Part Name	Description	Local
IC471	CXA3657R	IC			C473	NBE21AM-106X	TA E CAPACITOR	10uF 10V M	
IC501	S-80824CNB-G-W	IC			C474	NCB31CK-104X	C CAPACITOR	0.1uF 16V K	
△ IC511	MN103S77NDX	IC			C475	NCB31CK-104X	C CAPACITOR	0.1uF 16V K	
IC521	BR24L04F-W-X	IC			C476	NCB31CK-104X	C CAPACITOR	0.1uF 16V K	
IC581	MR27T1602F22NNX	IC(MICRO C ROM)			C477	NCB31AK-474X	C CAPACITOR	0.47uF 10V K	
IC585	GP1UX511RK	RM.RECEIVER			C478	NCB20JM-475X	C CAPACITOR	4.7uF 6.3V M	
△ IC601	MB87P2040PMT	IC(DIGITAL)			C479	NCB20JM-475X	C CAPACITOR	4.7uF 6.3V M	
IC645	NJM2286V-W	IC			C480	NCB31CK-105X	C CAPACITOR	1uF 16V K	
IC646	SN74LV4053APW-X	IC			C481	NCB20JM-475X	C CAPACITOR	4.7uF 6.3V M	
△ IC651	AN2546FH-AV	IC			C482	NCB31CK-104X	C CAPACITOR	0.1uF 16V K	
IC661	NJM2871BF25-X	IC			C483	NCB31CK-104X	C CAPACITOR	0.1uF 16V K	
IC671	NJM2871BF05-X	IV			C484	NCB31CK-103X	C CAPACITOR	0.01uF 16V K	
Q401	2SA1530A/QR/-X	TRANSISTOR			C485	NBE21AM-106X	TA E CAPACITOR	10uF 10V M	
Q402	2SA1530A/QR/-X	TRANSISTOR			C486	NCB31CK-104X	C CAPACITOR	0.1uF 16V K	
Q403	RT1N141C-X	TRANSISTOR			C487	NCB31CK-104X	C CAPACITOR	0.1uF 16V K	
Q404	RT1N141C-X	TRANSISTOR			C488	NCB31CK-104X	C CAPACITOR	0.1uF 16V K	
Q405	2SC3928A/QR/-X	TRANSISTOR			C489	NCB31CK-223X	C CAPACITOR	0.022uF 16V K	
Q406	RT1P141C-X	TRANSISTOR			C490	NBE21AM-335X	TA E CAPACITOR	3.3uF 10V M	
Q451	2SA1530A/QR/-X	TRANSISTOR			C491	NCB31HK-682X	C CAPACITOR	6800pF 50V K	
Q452	2SA1530A/QR/-X	TRANSISTOR			C492	NBE21AM-106X	TA E CAPACITOR	10uF 10V M	
Q453	2SA1530A/QR/-X	TRANSISTOR			C493	NCB31CK-103X	C CAPACITOR	0.01uF 16V K	
Q501	2SC3928A/QR/-X	TRANSISTOR			C494	NCB31CK-104X	C CAPACITOR	0.1uF 16V K	
Q651	2SC3928A/QR/-X	TRANSISTOR			C501	NCB31CK-473X	C CAPACITOR	0.047uF 16V K	
Q652	2SC3928A/QR/-X	TRANSISTOR			C502	NBE21AM-106X	TA E CAPACITOR	10uF 10V M	
Q654	2SC3928A/QR/-X	TRANSISTOR			C503	NCB31CK-473X	C CAPACITOR	0.047uF 16V K	
Q655	2SC3928A/QR/-X	TRANSISTOR			C504	NBE20JM-475X	TA E CAPACITOR	4.7uF 6.3V M	
Q656	2SC3928A/QR/-X	TRANSISTOR			C505	NCB31CK-103X	C CAPACITOR	0.01uF 16V K	
Q691	2SA1530A/QR/-X	TRANSISTOR			C506	NCB31CK-103X	C CAPACITOR	0.01uF 16V K	
Q692	2SA1530A/QR/-X	TRANSISTOR			C507	NCB31CK-103X	C CAPACITOR	0.01uF 16V K	
Q693	2SA1530A/QR/-X	TRANSISTOR			C508	NCB31CK-105X	C CAPACITOR	1uF 16V K	
Q6601	2SA1530A/QR/-X	TRANSISTOR			C509	NCB31CK-103X	C CAPACITOR	0.01uF 16V K	
Q6602	2SC3928A/QR/-X	TRANSISTOR			C510	NCB31CK-103X	C CAPACITOR	0.01uF 16V K	
Q6603	2SA1530A/QR/-X	TRANSISTOR			C511	NCB31CK-103X	C CAPACITOR	0.01uF 16V K	
Q6651	2SC3928A/QR/-X	TRANSISTOR			C512	NCB31CK-103X	C CAPACITOR	0.01uF 16V K	
					C521	NDC31HJ-471X	C CAPACITOR	470pF 50V J	
					C581	NDC31HJ-471X	C CAPACITOR	470pF 50V J	
					C582	NCB31CK-473X	C CAPACITOR	0.047uF 16V K	
					C583	NBE21AM-106X	TA E CAPACITOR	10uF 10V M	
					C586	NBE21AM-475X	TA E CAPACITOR	4.7uF 10V M	
					C601	NCB21AK-225X	C CAPACITOR	2.2uF 10V K	
					C604	NCB21AK-225X	C CAPACITOR	2.2uF 10V K	
					C605	NBE21AM-226X	TA E CAPACITOR	22uF 10V M	
					C606	NCB21AK-225X	C CAPACITOR	2.2uF 10V K	
					C607	NCB31CK-104X	C CAPACITOR	0.1uF 16V K	

△ Symbol No.	Part No.	Part Name	Description	Local	△ Symbol No.	Part No.	Part Name	Description	Local
C609	NCB31CK-103X	C CAPACITOR	0.01uF 16V K		C4001	NCB31CK-473X	C CAPACITOR	0.047uF 16V K	
C611	NDC31HJ-120X	C CAPACITOR	12pF 50V J		C4002	NCB31CK-103X	C CAPACITOR	0.01uF 16V K	
C612	NDC31HJ-120X	C CAPACITOR	12pF 50V J		C4003	NCB31CK-105X	C CAPACITOR	1uF 16V K	
C613	NCB31CK-103X	C CAPACITOR	0.01uF 16V K		C4004	NCB31HK-102X	C CAPACITOR	1000pF 50V K	
C614	NCB31CK-103X	C CAPACITOR	0.01uF 16V K		C4006	NCB31HK-102X	C CAPACITOR	1000pF 50V K	
C615	NDC31HJ-101X	C CAPACITOR	100pF 50V J		C4007	NCB31CK-105X	C CAPACITOR	1uF 16V K	
C616	NBE21AM-106X	TA E CAPACITOR	10uF 10V M		C6601	NCB31CK-103X	C CAPACITOR	0.01uF 16V K	
C617	NCB31CK-103X	C CAPACITOR	0.01uF 16V K		C6602	NBE21AM-106X	TA E CAPACITOR	10uF 10V M	
C618	NCB31CK-103X	C CAPACITOR	0.01uF 16V K		C6603	NCB31CK-103X	C CAPACITOR	0.01uF 16V K	
C619	NCB31CK-103X	C CAPACITOR	0.01uF 16V K		C6604	NBE21AM-226X	TA E CAPACITOR	22uF 10V M	
C620	NCB31CK-103X	C CAPACITOR	0.01uF 16V K		C6605	NCB31CK-103X	C CAPACITOR	0.01uF 16V K	
C621	NCB31CK-103X	C CAPACITOR	0.01uF 16V K		C6606	NCB31CK-223X	C CAPACITOR	0.022uF 16V K	
C622	NCB31CK-103X	C CAPACITOR	0.01uF 16V K		C6651	NBE41CM-226X	TA E CAPACITOR	22uF 16V M	
C623	NBE21AM-106X	TA E CAPACITOR	10uF 10V M		C6652	NCB21CK-105X	C CAPACITOR	1uF 16V K	
C624	NCB31CK-103X	C CAPACITOR	0.01uF 16V K		C6701	NCB31CK-103X	C CAPACITOR	0.01uF 16V K	
C625	NCB31CK-103X	C CAPACITOR	0.01uF 16V K		C6702	NCB31CK-105X	C CAPACITOR	1uF 16V K	
C626	NBE21AM-106X	TA E CAPACITOR	10uF 10V M		C6703	NCB31CK-103X	C CAPACITOR	0.01uF 16V K	
C630	NCB31CK-103X	C CAPACITOR	0.01uF 16V K		C6704	NBE21AM-226X	TA E CAPACITOR	22uF 10V M	
C631	NCB31CK-103X	C CAPACITOR	0.01uF 16V K		C6705	NCB31CK-103X	C CAPACITOR	0.01uF 16V K	
C633	NCB31CK-103X	C CAPACITOR	0.01uF 16V K		C6901	NCB31CK-104X	C CAPACITOR	0.1uF 16V K	
C635	NCB31CK-103X	C CAPACITOR	0.01uF 16V K		C6902	NCB31CK-104X	C CAPACITOR	0.1uF 16V K	
C636	NCB31CK-104X	C CAPACITOR	0.1uF 16V K						
C637	NCB31CK-103X	C CAPACITOR	0.01uF 16V K		R401	NRSA63J-102X	MG RESISTOR	1kΩ 1/16W J	
C638	NCB31CK-104X	C CAPACITOR	0.1uF 16V K		R402	NRSA63J-122X	MG RESISTOR	1.2kΩ 1/16W J	
C639	NCB31CK-103X	C CAPACITOR	0.01uF 16V K		R404	NRSA63J-222X	MG RESISTOR	2.2kΩ 1/16W J	
C645	NCB31CK-103X	C CAPACITOR	0.01uF 16V K		R405	NRSA63J-222X	MG RESISTOR	2.2kΩ 1/16W J	
C647	NCB31CK-103X	C CAPACITOR	0.01uF 16V K		R406	NRSA63J-102X	MG RESISTOR	1kΩ 1/16W J	
C649	NDC31HJ-390X	C CAPACITOR	39pF 50V J		R407	NRSA63J-122X	MG RESISTOR	1.2kΩ 1/16W J	
C650	NDC31HJ-390X	C CAPACITOR	39pF 50V J		R409	NRSA63J-222X	MG RESISTOR	2.2kΩ 1/16W J	
C651	NBE21AM-106X	TA E CAPACITOR	10uF 10V M		R410	NRSA63J-222X	MG RESISTOR	2.2kΩ 1/16W J	
C652	NDC31HJ-101X	C CAPACITOR	100pF 50V J		R411	NRSA63J-682X	MG RESISTOR	6.8kΩ 1/16W J	
C653	NCB31CK-103X	C CAPACITOR	0.01uF 16V K		R412	NRSA63J-682X	MG RESISTOR	6.8kΩ 1/16W J	
C654	NBE21AM-226X	TA E CAPACITOR	22uF 10V M		R414	NRSA63J-222X	MG RESISTOR	2.2kΩ 1/16W J	
C655	NBE21AM-226X	TA E CAPACITOR	22uF 10V M		R415	NRSA63J-222X	MG RESISTOR	2.2kΩ 1/16W J	
C656	NCB31CK-105X	C CAPACITOR	1uF 16V K		R416	NRSA63J-471X	MG RESISTOR	470Ω 1/16W J	
C657	NCB31CK-105X	C CAPACITOR	1uF 16V K		R417	NRSA63J-561X	MG RESISTOR	560Ω 1/16W J	
C658	NCB31CK-105X	C CAPACITOR	1uF 16V K		R419	NRSA63J-122X	MG RESISTOR	1.2kΩ 1/16W J	
C659	NDC31HJ-101X	C CAPACITOR	100pF 50V J		R420	NRSA63J-102X	MG RESISTOR	1kΩ 1/16W J	
C660	NCB31CK-103X	C CAPACITOR	0.01uF 16V K		R421	NRSA63J-332X	MG RESISTOR	3.3kΩ 1/16W J	
C661	NBE51CM-476X	TA E CAPACITOR	47uF 16V M		R422	NRSA63J-332X	MG RESISTOR	3.3kΩ 1/16W J	
C662	NDC31HJ-680X	C CAPACITOR	68pF 50V J		R425	NRSA63J-102X	MG RESISTOR	1kΩ 1/16W J	
C663	NBE21AM-106X	TA E CAPACITOR	10uF 10V M		R426	NRSA63J-122X	MG RESISTOR	1.2kΩ 1/16W J	
C664	NDC31HJ-680X	C CAPACITOR	68pF 50V J		R429	NRSA63J-122X	MG RESISTOR	1.2kΩ 1/16W J	
C665	NBE21AM-106X	TA E CAPACITOR	10uF 10V M		R430	NRSA63J-122X	MG RESISTOR	1.2kΩ 1/16W J	
C666	NCB31CK-103X	C CAPACITOR	0.01uF 16V K		R432	NRSA63J-471X	MG RESISTOR	470Ω 1/16W J	
C667	NDC31HJ-680X	C CAPACITOR	68pF 50V J		R433	NRSA63J-561X	MG RESISTOR	560Ω 1/16W J	
C668	NBE21AM-106X	TA E CAPACITOR	10uF 10V M		R434	NRSA63J-122X	MG RESISTOR	1.2kΩ 1/16W J	
C669	NBE20JM-476X	TA E CAPACITOR	47uF 6.3V M		R435	NRSA63J-122X	MG RESISTOR	1.2kΩ 1/16W J	
C670	NCB31CK-103X	C CAPACITOR	0.01uF 16V K		R437	NRSA63J-471X	MG RESISTOR	470Ω 1/16W J	
C671	NDC31HJ-101X	C CAPACITOR	100pF 50V J		R438	NRSA63J-561X	MG RESISTOR	560Ω 1/16W J	
C672	NCB31HK-102X	C CAPACITOR	1000pF 50V K		R439	NRSA63J-562X	MG RESISTOR	5.6kΩ 1/16W J	
C673	NCB31HK-471X	C CAPACITOR	470pF 50V K		R444	NRSA63J-272X	MG RESISTOR	2.7kΩ 1/16W J	
C674	NCB31CK-221X	C CAPACITOR	220pF 16V K		R445	NRSA63J-332X	MG RESISTOR	3.3kΩ 1/16W J	
C675	NCB31CK-223X	C CAPACITOR	0.022uF 16V K		R446	NRSA63J-102X	MG RESISTOR	1kΩ 1/16W J	
C676	NBE20JM-226X	TA E CAPACITOR	22uF 6.3V M		R447	NRSA63J-102X	MG RESISTOR	1kΩ 1/16W J	
C677	NCB31CK-223X	C CAPACITOR	0.022uF 16V K		R448	NRSA63J-562X	MG RESISTOR	5.6kΩ 1/16W J	
C678	NCB21CK-474X	C CAPACITOR	0.47uF 16V K		R449	NRSA63J-473X	MG RESISTOR	47kΩ 1/16W J	
C679	NCB31CK-103X	C CAPACITOR	0.01uF 16V K		R451	NRSA63J-152X	MG RESISTOR	1.5kΩ 1/16W J	
C680	NCB31HK-152X	C CAPACITOR	1500pF 50V K		R452	NRSA63J-301X	MG RESISTOR	300Ω 1/16W J	
C681	NBE20JM-475X	TA E CAPACITOR	4.7uF 6.3V M		R453	NRSA63J-271X	MG RESISTOR	270Ω 1/16W J	
C682	NCB21AK-225X	C CAPACITOR	2.2uF 10V K		R454	NRSA63J-391X	MG RESISTOR	390Ω 1/16W J	
C683	NBE20JM-475X	TA E CAPACITOR	4.7uF 6.3V M		R455	NRSA63J-561X	MG RESISTOR	560Ω 1/16W J	
C684	NDC31HJ-120X	C CAPACITOR	12pF 50V J		R456	NRSA63J-473X	MG RESISTOR	47kΩ 1/16W J	
C685	NDC31HJ-270X	C CAPACITOR	27pF 50V J		R457	NRSA63J-152X	MG RESISTOR	1.5kΩ 1/16W J	
C686	NCB31CK-104X	C CAPACITOR	0.1uF 16V K		R458	NRSA63J-301X	MG RESISTOR	300Ω 1/16W J	
C687	NCB31CK-104X	C CAPACITOR	0.1uF 16V K		R459	NRSA63J-271X	MG RESISTOR	270Ω 1/16W J	
C688	NCB31CK-104X	C CAPACITOR	0.1uF 16V K		R460	NRSA63J-391X	MG RESISTOR	390Ω 1/16W J	
C689	NCB31CK-103X	C CAPACITOR	0.01uF 16V K		R461	NRSA63J-473X	MG RESISTOR	47kΩ 1/16W J	
C690	NCB31CK-104X	C CAPACITOR	0.1uF 16V K		R462	NRSA63J-152X	MG RESISTOR	1.5kΩ 1/16W J	
C691	NCB31CK-223X	C CAPACITOR	0.022uF 16V K		R463	NRSA63J-301X	MG RESISTOR	300Ω 1/16W J	
C692	NCB31CK-105X	C CAPACITOR	1uF 16V K		R464	NRSA63J-271X	MG RESISTOR	270Ω 1/16W J	
C693	NDC31HJ-8R0X	C CAPACITOR	8pF 50V J		R465	NRSA63J-391X	MG RESISTOR	390Ω 1/16W J	
C694	NDC31HJ-2R0X	C CAPACITOR	2pF 50V J		R466	NRSA63J-561X	MG RESISTOR	560Ω 1/16W J	
C695	NCB21CK-105X	C CAPACITOR	1uF 16V K		R467	NRSA63J-473X	MG RESISTOR	47kΩ 1/16W J	
C696	NCB21CK-105X	C CAPACITOR	1uF 16V K		R468	NRSA63J-474X	MG RESISTOR	470kΩ 1/16W J	
C697	NCB21CK-105X	C CAPACITOR	1uF 16V K		R469	NRSA63J-473X	MG RESISTOR	47kΩ 1/16W J	
C698	NCB31CK-105X	C CAPACITOR	1uF 16V K		R470	NRSA63J-394X	MG RESISTOR	390kΩ 1/16W J	
C699	NDC31HJ-390X	C CAPACITOR	39pF 50V J		R471	NRSA63J-0R0X	MG RESISTOR	0Ω 1/16W J	

△ Symbol No.	Part No.	Part Name	Description	Local	△ Symbol No.	Part No.	Part Name	Description	Local
R472	NRSA63J-0R0X	MG RESISTOR	0Ω 1/16W J		R601	NRSA63J-121X	MG RESISTOR	120Ω 1/16W J	
R473	NRSA63J-0R0X	MG RESISTOR	0Ω 1/16W J		R602	NRSA63J-121X	MG RESISTOR	120Ω 1/16W J	
R474	NRSA63J-0R0X	MG RESISTOR	0Ω 1/16W J		R603	NRSA63J-121X	MG RESISTOR	120Ω 1/16W J	
R475	NRSA63J-0R0X	MG RESISTOR	0Ω 1/16W J		R604	NRSA63J-220X	MG RESISTOR	22Ω 1/16W J	
R476	NRSA63J-0R0X	MG RESISTOR	0Ω 1/16W J		R605	NRSA63J-220X	MG RESISTOR	22Ω 1/16W J	
R477	NRSA63J-0R0X	MG RESISTOR	0Ω 1/16W J		R606	NRSA63J-272X	MG RESISTOR	2.7kΩ 1/16W J	
R478	NRSA63J-0R0X	MG RESISTOR	0Ω 1/16W J		R607	NRSA63J-220X	MG RESISTOR	22Ω 1/16W J	
R480	NRSA63J-0R0X	MG RESISTOR	0Ω 1/16W J		R608	NRSA63J-681X	MG RESISTOR	680Ω 1/16W J	
R481	NRSA63J-0R0X	MG RESISTOR	0Ω 1/16W J		R610	NRSA63J-0R0X	MG RESISTOR	0Ω 1/16W J	
R482	NRSA63J-0R0X	MG RESISTOR	0Ω 1/16W J		R611	NRSA63J-0R0X	MG RESISTOR	0Ω 1/16W J	
R483	NRSA63J-0R0X	MG RESISTOR	0Ω 1/16W J		R612	NRSA63J-0R0X	MG RESISTOR	0Ω 1/16W J	
R484	NRSA63J-0R0X	MG RESISTOR	0Ω 1/16W J		R613	NRSA63J-0R0X	MG RESISTOR	0Ω 1/16W J	
R485	NRSA63J-0R0X	MG RESISTOR	0Ω 1/16W J		R614	NRSA63J-0R0X	MG RESISTOR	0Ω 1/16W J	
R486	NRSA63J-101X	MG RESISTOR	100Ω 1/16W J		R615	NRSA63J-0R0X	MG RESISTOR	0Ω 1/16W J	
R487	NRSA63J-101X	MG RESISTOR	100Ω 1/16W J		R616	NRSA63J-103X	MG RESISTOR	10kΩ 1/16W J	
R488	NRSA63J-101X	MG RESISTOR	100Ω 1/16W J		R617	NRSA63J-103X	MG RESISTOR	10kΩ 1/16W J	
R489	NRSA63J-221X	MG RESISTOR	220Ω 1/16W J		R618	NRSA63J-103X	MG RESISTOR	10kΩ 1/16W J	
R490	NRSA63J-221X	MG RESISTOR	220Ω 1/16W J		R619	NRSA63J-103X	MG RESISTOR	10kΩ 1/16W J	
R491	NRSA63J-221X	MG RESISTOR	220Ω 1/16W J		R620	NRSA63J-103X	MG RESISTOR	10kΩ 1/16W J	
R492	NRSA63J-103X	MG RESISTOR	10kΩ 1/16W J		R621	NRSA63J-103X	MG RESISTOR	10kΩ 1/16W J	
R493	NRSA63J-0R0X	MG RESISTOR	0Ω 1/16W J		R622	NRSA63J-103X	MG RESISTOR	10kΩ 1/16W J	
R494	NRSA63J-0R0X	MG RESISTOR	0Ω 1/16W J		R623	NRSA63J-0R0X	MG RESISTOR	0Ω 1/16W J	
R495	NRSA63J-0R0X	MG RESISTOR	0Ω 1/16W J		R624	NRSA63J-0R0X	MG RESISTOR	0Ω 1/16W J	
R501	NRSA63J-473X	MG RESISTOR	47kΩ 1/16W J		R625	NRSA63J-103X	MG RESISTOR	10kΩ 1/16W J	
R502	NRSA63J-474X	MG RESISTOR	470kΩ 1/16W J		R626	NRSA63J-0R0X	MG RESISTOR	0Ω 1/16W J	
R504	NRSA63J-102X	MG RESISTOR	1kΩ 1/16W J		R627	NRSA63J-103X	MG RESISTOR	10kΩ 1/16W J	
R505	NRSA63J-473X	MG RESISTOR	47kΩ 1/16W J		R628	NRSA63J-103X	MG RESISTOR	10kΩ 1/16W J	
R506	NRSA63J-222X	MG RESISTOR	2.2kΩ 1/16W J		R631	NRSA63J-105X	MG RESISTOR	1MΩ 1/16W J	
R507	NRSA63J-102X	MG RESISTOR	1kΩ 1/16W J		R632	NRSA63J-105X	MG RESISTOR	1MΩ 1/16W J	
R512	NRSA63J-102X	MG RESISTOR	1kΩ 1/16W J		R633	NRSA63J-105X	MG RESISTOR	1MΩ 1/16W J	
R513	NRSA63J-102X	MG RESISTOR	1kΩ 1/16W J		R634	NRSA63J-105X	MG RESISTOR	1MΩ 1/16W J	
R514	NRSA63J-102X	MG RESISTOR	1kΩ 1/16W J		R635	NRSA63J-105X	MG RESISTOR	1MΩ 1/16W J	
R515	NRSA63J-102X	MG RESISTOR	1kΩ 1/16W J		R636	NRSA63J-105X	MG RESISTOR	1MΩ 1/16W J	
R516	NRSA63J-102X	MG RESISTOR	1kΩ 1/16W J		R645	NRSA63J-103X	MG RESISTOR	10kΩ 1/16W J	
R517	NRSA63J-102X	MG RESISTOR	1kΩ 1/16W J		R646	NRSA63J-0R0X	MG RESISTOR	0Ω 1/16W J	
R518	NRSA63J-102X	MG RESISTOR	1kΩ 1/16W J		R647	NRSA63J-0R0X	MG RESISTOR	0Ω 1/16W J	
R519	NRSA63J-102X	MG RESISTOR	1kΩ 1/16W J		R649	NRSA63J-102X	MG RESISTOR	1kΩ 1/16W J	
R520	NRSA63J-102X	MG RESISTOR	1kΩ 1/16W J		R651	NRSA63J-0R0X	MG RESISTOR	0Ω 1/16W J	
R521	NRSA63J-102X	MG RESISTOR	1kΩ 1/16W J		R652	NRSA63J-151X	MG RESISTOR	150Ω 1/16W J	
R522	NRSA63J-102X	MG RESISTOR	1kΩ 1/16W J		R653	NRSA63J-333X	MG RESISTOR	33kΩ 1/16W J	
R523	NRSA63J-102X	MG RESISTOR	1kΩ 1/16W J		R654	NRSA63J-153X	MG RESISTOR	15kΩ 1/16W J	
R524	NRSA63J-102X	MG RESISTOR	1kΩ 1/16W J		R655	NRSA63J-334X	MG RESISTOR	330kΩ 1/16W J	
R525	NRSA63J-102X	MG RESISTOR	1kΩ 1/16W J		R656	NRSA63J-102X	MG RESISTOR	1kΩ 1/16W J	
R526	NRSA63J-102X	MG RESISTOR	1kΩ 1/16W J		R660	NRSA63J-103X	MG RESISTOR	10kΩ 1/16W J	
R527	NRSA63J-102X	MG RESISTOR	1kΩ 1/16W J		R661	NRSA63J-103X	MG RESISTOR	10kΩ 1/16W J	
R528	NRSA63J-103X	MG RESISTOR	10kΩ 1/16W J		R662	NRSA63J-122X	MG RESISTOR	1.2kΩ 1/16W J	
R529	NRSA63J-103X	MG RESISTOR	10kΩ 1/16W J		R665	NRSA63J-102X	MG RESISTOR	1kΩ 1/16W J	
R530	NRSA63J-0R0X	MG RESISTOR	0Ω 1/16W J		R666	NRSA63J-102X	MG RESISTOR	1kΩ 1/16W J	
R531	NRSA63J-473X	MG RESISTOR	47kΩ 1/16W J		R667	NRSA63J-102X	MG RESISTOR	1kΩ 1/16W J	
R544	NRSA63J-471X	MG RESISTOR	470Ω 1/16W J		R669	NRSA63J-104X	MG RESISTOR	100kΩ 1/16W J	
R545	NRSA63J-471X	MG RESISTOR	470Ω 1/16W J		R670	NRSA63J-104X	MG RESISTOR	100kΩ 1/16W J	
R546	NRSA63J-471X	MG RESISTOR	470Ω 1/16W J		R671	NRSA63J-334X	MG RESISTOR	330kΩ 1/16W J	
R547	NRSA63J-0R0X	MG RESISTOR	0Ω 1/16W J		R672	NRSA63J-184X	MG RESISTOR	180kΩ 1/16W J	
R548	NRSA63J-102X	MG RESISTOR	1kΩ 1/16W J		R673	NRSA63J-0R0X	MG RESISTOR	0Ω 1/16W J	
R549	NRSA63J-102X	MG RESISTOR	1kΩ 1/16W J		R674	NRSA63J-105X	MG RESISTOR	1MΩ 1/16W J	
R550	NRSA63J-102X	MG RESISTOR	1kΩ 1/16W J		R675	NRSA63J-332X	MG RESISTOR	3.3kΩ 1/16W J	
R551	NRSA63J-102X	MG RESISTOR	1kΩ 1/16W J		R676	NRSA63J-103X	MG RESISTOR	10kΩ 1/16W J	
R556	NRSA63J-102X	MG RESISTOR	1kΩ 1/16W J		R678	NRSA63J-331X	MG RESISTOR	330Ω 1/16W J	
R573	NRSA63J-102X	MG RESISTOR	1kΩ 1/16W J		R679	NRSA63J-683X	MG RESISTOR	68kΩ 1/16W J	
R574	NRSA63J-102X	MG RESISTOR	1kΩ 1/16W J		R680	NRSA63J-222X	MG RESISTOR	2.2kΩ 1/16W J	
R575	NRSA63J-102X	MG RESISTOR	1kΩ 1/16W J		R682	NRSA63J-272X	MG RESISTOR	2.7kΩ 1/16W J	
R576	NRSA63J-102X	MG RESISTOR	1kΩ 1/16W J		R684	NRSA63J-512X	MG RESISTOR	5.1kΩ 1/16W J	
R577	NRSA63J-102X	MG RESISTOR	1kΩ 1/16W J		R685	NRSA63J-103X	MG RESISTOR	10kΩ 1/16W J	
R578	NRSA63J-102X	MG RESISTOR	1kΩ 1/16W J		R686	NRSA63J-122X	MG RESISTOR	1.2kΩ 1/16W J	
R579	NRSA63J-271X	MG RESISTOR	270Ω 1/16W J		R687	NRSA63J-122X	MG RESISTOR	1.2kΩ 1/16W J	
R580	NRSA63J-271X	MG RESISTOR	270Ω 1/16W J		R691	NRSA63J-472X	MG RESISTOR	4.7kΩ 1/16W J	
R581	NRSA63J-102X	MG RESISTOR	1kΩ 1/16W J		R692	NRSA63J-472X	MG RESISTOR	4.7kΩ 1/16W J	
R584	NRSA63J-103X	MG RESISTOR	10kΩ 1/16W J		R693	NRSA63J-472X	MG RESISTOR	4.7kΩ 1/16W J	
R585	NRSA63J-0R0X	MG RESISTOR	0Ω 1/16W J		R694	NRSA63J-0R0X	MG RESISTOR	0Ω 1/16W J	
R587	NRSA63J-470X	MG RESISTOR	47Ω 1/16W J		R4001	NRSA63J-105X	MG RESISTOR	1MΩ 1/16W J	
R588	NRSA63J-0R0X	MG RESISTOR	0Ω 1/16W J		R4005	NRSA63J-152X	MG RESISTOR	1.5kΩ 1/16W J	
R591	NRSA63J-562X	MG RESISTOR	5.6kΩ 1/16W J		R6601	NRSA63J-223X	MG RESISTOR	22kΩ 1/16W J	
R593	NRSA63J-473X	MG RESISTOR	47kΩ 1/16W J		R6602	NRSA63J-103X	MG RESISTOR	10kΩ 1/16W J	
R594	NRSA63J-562X	MG RESISTOR	5.6kΩ 1/16W J		R6603	NRSA63J-102X	MG RESISTOR	1kΩ 1/16W J	
R596	NRSA63J-473X	MG RESISTOR	47kΩ 1/16W J		R6604	NRSA63J-473X	MG RESISTOR	47kΩ 1/16W J	
R597	NRSA63J-0R0X	MG RESISTOR	0Ω 1/16W J		R6605	NRSA63J-473X	MG RESISTOR	47kΩ 1/16W J	
R598	NRSA63J-0R0X	MG RESISTOR	0Ω 1/16W J		R6606	NRSA63J-103X	MG RESISTOR	10kΩ 1/16W J	
R599	NRSA63J-0R0X	MG RESISTOR	0Ω 1/16W J		R6651	NRSA63J-100X	MG RESISTOR	10Ω 1/16W J	



△ Symbol No.	Part No.	Part Name	Description	Local
R6652	NRSA63J-471X	MG RESISTOR	470Ω 1/16W J	
R6653	NRSA63J-0R0X	MG RESISTOR	0Ω 1/16W J	
R6901	NRSA63J-473X	MG RESISTOR	47kΩ 1/16W J	
R6902	NRSA63J-473X	MG RESISTOR	47kΩ 1/16W J	
RA511	NRZ0065-102X	NET RESISTOR	1kΩ	
RA512	NRZ0065-102X	NET RESISTOR	1kΩ	
RA513	NRZ0065-102X	NET RESISTOR	1kΩ	
RA514	NRZ0065-102X	NET RESISTOR	1kΩ	
RA515	NRZ0065-102X	NET RESISTOR	1kΩ	
RA516	NRZ0065-102X	NET RESISTOR	1kΩ	
RA517	NRZ0065-102X	NET RESISTOR	1kΩ	
RA518	NRZ0065-102X	NET RESISTOR	1kΩ	
RA519	NRZ0065-102X	NET RESISTOR	1kΩ	
L471	NQL79GM-220X	COIL	22uH M	
L472	NQL79GM-220X	COIL	22uH M	
L473	NQL79GM-220X	COIL	22uH M	
L501	NQL79GM-100X	COIL	10uH M	
L601	NQR0022-005X	FERRITE BEADS		
L602	NQL79GM-100X	COIL	10uH M	
L603	NQL79GM-100X	COIL	10uH M	
L651	NQL79GM-220X	COIL	22uH M	
L652	NQL79GM-220X	COIL	22uH M	
L653	NQL79GM-100X	COIL	10uH M	
L655	NQL79GM-470X	COIL	47uH M	
L656	NQL79GM-220X	COIL	22uH M	
L657	NQL79GM-470X	COIL	47uH M	
L658	NQL79GM-470X	COIL	47uH M	
L659	NQL79GM-470X	COIL	47uH M	
L4001	NRSA63J-1R0X	MG RESISTOR	1Ω 1/16W J	
CN401	QGF0523F1-24W	CONNECTOR	FFC/FPC (1-24)	
CN411	QGF0523F1-06W	CONNECTOR	FFC/FPC (1-6)	
CN521	QGF0522F1-07W	CONNECTOR	FFC/FPC (1-7)	
CN581	QGZ2203M1-20X	CONNECTOR	(1-20)	
CN582	QGF0523F1-30W	CONNECTOR	FFC/FPC (1-30)	
CN583	QGF0523F1-30W	CONNECTOR	FFC/FPC (1-30)	
K581	NRSA63J-0R0X	MG RESISTOR	0Ω 1/16W J	
K582	NRSA63J-561X	MG RESISTOR	560Ω 1/16W J	
K583	NRSA63J-561X	MG RESISTOR	560Ω 1/16W J	
K584	NRSA63J-0R0X	MG RESISTOR	0Ω 1/16W J	
K585	NRSA63J-0R0X	MG RESISTOR	0Ω 1/16W J	
K586	NRSA63J-0R0X	MG RESISTOR	0Ω 1/16W J	
K587	NRSA63J-561X	MG RESISTOR	560Ω 1/16W J	
K588	NRSA63J-561X	MG RESISTOR	560Ω 1/16W J	
K589	NRSA63J-561X	MG RESISTOR	560Ω 1/16W J	
K590	NRSA63J-561X	MG RESISTOR	560Ω 1/16W J	
K601	NQR0022-005X	FERRITE BEADS		
K602	NQR0022-005X	FERRITE BEADS		
K603	NQR0022-005X	FERRITE BEADS		
K604	NQR0022-005X	FERRITE BEADS		
K605	NQR0022-005X	FERRITE BEADS		
S451	NSW0246-001X	TACT SW		
S452	NSW0246-001X	TACT SW		
S453	NSW0246-001X	TACT SW		
S454	NSW0124-001X	TACT SW		
S455	NSW0246-001X	TACT SW		
S456	NSW0246-001X	TACT SW		
S457	NSW0246-001X	TACT SW		
S458	NSW0246-001X	TACT SW		
S459	NSW0246-001X	TACT SW		
S460	NSW0246-001X	TACT SW		
S461	NSW0124-001X	TACT SW		
S462	NSW0124-001X	TACT SW		
S463	NSW0246-001X	TACT SW		
S464	NSW0246-001X	TACT SW		
S501	NSW0124-001X	TACT SW		
X511	NAX0663-001X	C RESONATOR		
X601	NAX0776-001X	CRYSTAL		
X651	NAX0727-001X	CRYSTAL		
X652	NAX0728-001X	CRYSTAL		

## Connector board

Block No. [0][3]

△ Symbol No.	Part No.	Part Name	Description	Local
CN892	QGF0523F1-07W	CONNECTOR	FFC/FPC (1-7)	
CN963	QGF1038F1-20X	CONNECTOR	FFC/FPC (1-20)	
CN964	QGZ2203L1-20X	CONNECTOR	(1-20)	
S891	NSW0183-001X	DETECT SW		
S892	NSW0183-001X	DETECT SW		
S893	NSW0183-001X	DETECT SW		
S894	NSW0183-001X	DETECT SW		
S895	NSW0183-001X	DETECT SW		
S896	NSW0183-001X	DETECT SW		

## Front end board

Block No. [0][4]

△ Symbol No.	Part No.	Part Name	Description	Local
IC201	BA5835FM-X	IC		
IC251	BD6671FM-X	IC		
IC301	MN2DS0003AA-H	IC		
IC302	BA00HC5WF-X	IC		
IC304	S-80827CNNB-G-W	IC		
IC398	SG32M90TFIR3	IC(MICRO C ROM)		
IC398	SG32M90TFIR35C	FIRM WARE		
IC399	K4S281632F-UC75	IC(DIGITAL)		
IC399	or EDS1216AATA-75	IC(DIGITAL)		
IC401	AK4385ET-X	IC		
IC411	NJM4565V-X	IC		
IC481	BR93L66F-W-X	IC		
Q101	2SB1424/R/-W	TRANSISTOR		
Q102	2SC4617/R/-X	TRANSISTOR		
Q103	2SB1424/R/-W	TRANSISTOR		
Q104	2SC4617/R/-X	TRANSISTOR		
Q105	DTA114EE-X	DIGI TRANSISTOR		
Q231	DTC114EE-X	DIGI TRANSISTOR		
Q301	DTC144EE-X	DIGI TRANSISTOR		
Q302	DTC144EE-X	DIGI TRANSISTOR		
C1	NCB31CK-104X	C CAPACITOR	0.1uF 16V K	
C2	NCB31CK-104X	C CAPACITOR	0.1uF 16V K	
C3	NCB31CK-104X	C CAPACITOR	0.1uF 16V K	
C4	NCB31CK-104X	C CAPACITOR	0.1uF 16V K	
C5	NCB31CK-104X	C CAPACITOR	0.1uF 16V K	
C6	NCB31CK-104X	C CAPACITOR	0.1uF 16V K	
C7	NCB31CK-104X	C CAPACITOR	0.1uF 16V K	
C8	NCB31CK-104X	C CAPACITOR	0.1uF 16V K	
C9	NCB31CK-104X	C CAPACITOR	0.1uF 16V K	
C10	NCB31CK-104X	C CAPACITOR	0.1uF 16V K	
C11	NCB31CK-104X	C CAPACITOR	0.1uF 16V K	
C12	NCB31CK-104X	C CAPACITOR	0.1uF 16V K	
C13	NCB31CK-104X	C CAPACITOR	0.1uF 16V K	
C14	NCB31CK-104X	C CAPACITOR	0.1uF 16V K	
C15	NCB31CK-104X	C CAPACITOR	0.1uF 16V K	
C16	NCB31CK-104X	C CAPACITOR	0.1uF 16V K	
C17	NCB31CK-104X	C CAPACITOR	0.1uF 16V K	
C18	NCB31CK-104X	C CAPACITOR	0.1uF 16V K	
C19	NCB31CK-104X	C CAPACITOR	0.1uF 16V K	
C20	NCB31CK-104X	C CAPACITOR	0.1uF 16V K	
C21	NCB31CK-104X	C CAPACITOR	0.1uF 16V K	
C101	NCB31CK-104X	C CAPACITOR	0.1uF 16V K	
C102	NCB31CK-104X	C CAPACITOR	0.1uF 16V K	
C103	NCB31CK-104X	C CAPACITOR	0.1uF 16V K	
C104	NCB31CK-104X	C CAPACITOR	0.1uF 16V K	
C105	NBE41AM-476X	TA E CAPACITOR	47uF 10V M	
C106	NBE41AM-476X	TA E CAPACITOR	47uF 10V M	
C107	NCB31CK-104X	C CAPACITOR	0.1uF 16V K	
C108	NBE41AM-476X	TA E CAPACITOR	47uF 10V M	
C111	NCB31CK-104X	C CAPACITOR	0.1uF 16V K	
C112	NCB31CK-104X	C CAPACITOR	0.1uF 16V K	
C113	NCB31CK-104X	C CAPACITOR	0.1uF 16V K	
C201	NEAF1CM-107X	E CAPACITOR	100uF 16V M	

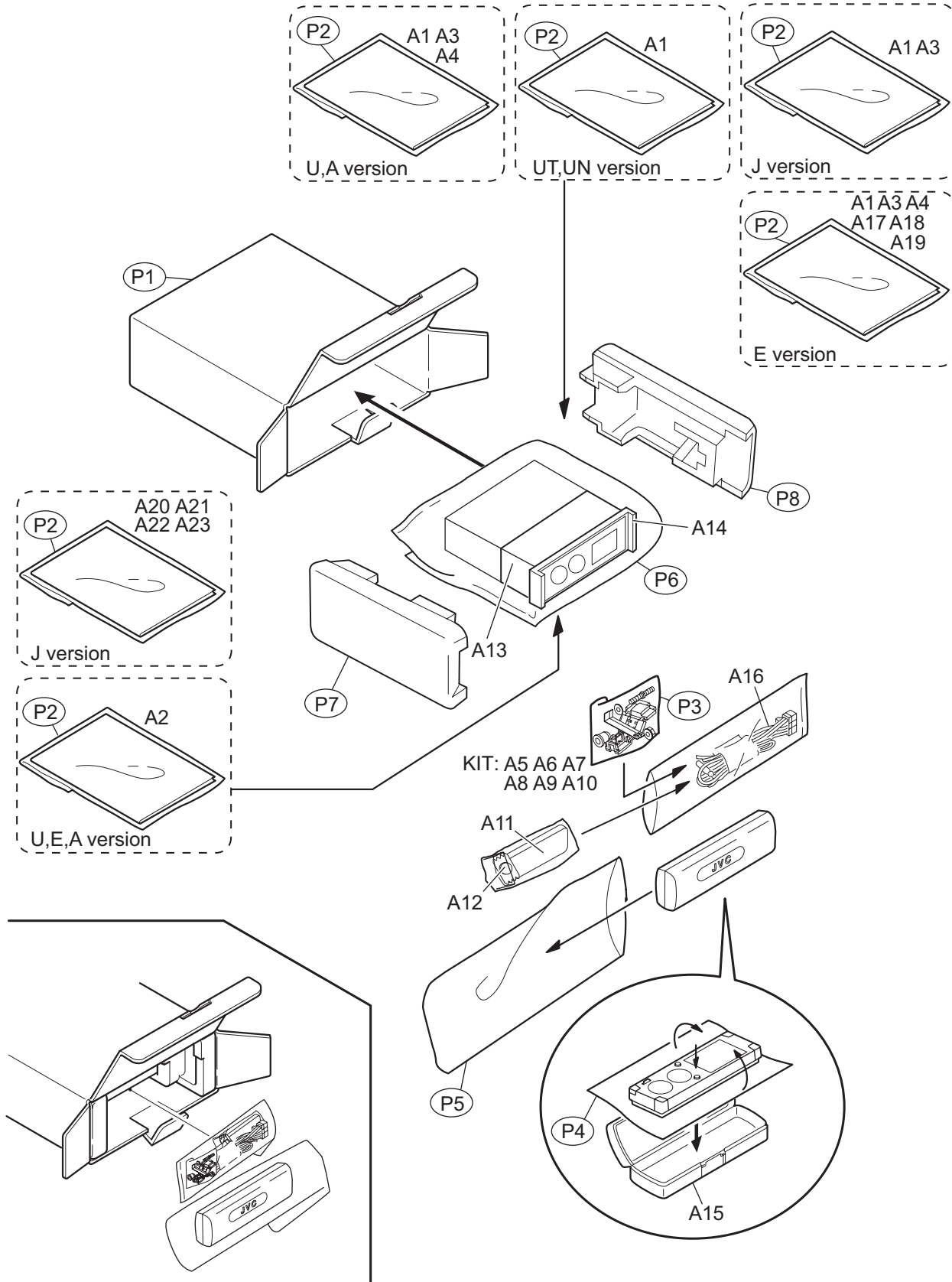
△ Symbol No.	Part No.	Part Name	Description	Local	△ Symbol No.	Part No.	Part Name	Description	Local
C202	NCB31CK-104X	C CAPACITOR	0.1uF 16V K		C398	NCB31CK-104X	C CAPACITOR	0.1uF 16V K	
C203	NCS31HJ-271X	C CAPACITOR	270pF 50V J		C399	NCB31CK-104X	C CAPACITOR	0.1uF 16V K	
C204	NDC31HJ-151X	C CAPACITOR	150pF 50V J		C401	NCB31CK-104X	C CAPACITOR	0.1uF 16V K	
C205	NCB31HK-681X	C CAPACITOR	680pF 50V K		C402	NBE41AM-476X	TA E CAPACITOR	47uF 10V M	
C206	NCB31HK-561X	C CAPACITOR	560pF 50V K		C403	NCB31HK-331X	C CAPACITOR	330pF 50V K	
C211	NEAF1CM-107X	E CAPACITOR	100uF 16V M		C404	NCB31CK-473X	C CAPACITOR	0.047uF 16V K	
C212	NCB31CK-104X	C CAPACITOR	0.1uF 16V K		C411	NCB31CK-104X	C CAPACITOR	0.1uF 16V K	
C213	NCB31CK-104X	C CAPACITOR	0.1uF 16V K		C412	NBE41AM-476X	TA E CAPACITOR	47uF 10V M	
C221	NCB31HK-223X	C CAPACITOR	0.022uF 50V K		C421	NCB31CK-104X	C CAPACITOR	0.1uF 16V K	
C222	NCB31HK-103X	C CAPACITOR	0.01uF 50V K		C422	NBE41AM-476X	TA E CAPACITOR	47uF 10V M	
C251	NCB31CK-104X	C CAPACITOR	0.1uF 16V K		C431	NCB31HK-332X	C CAPACITOR	3300pF 50V K	
C252	NEAF1CM-107X	E CAPACITOR	100uF 16V M		C432	NCS31HJ-471X	C CAPACITOR	470pF 50V J	
C253	NCB31CK-104X	C CAPACITOR	0.1uF 16V K		C433	NCS31HJ-471X	C CAPACITOR	470pF 50V J	
C254	NBE21AM-106X	TA E CAPACITOR	10uF 10V M		C451	NCB31CK-104X	C CAPACITOR	0.1uF 16V K	
C255	NCB31CK-104X	C CAPACITOR	0.1uF 16V K		C452	NCB31CK-104X	C CAPACITOR	0.1uF 16V K	
C256	NCB31CK-473X	C CAPACITOR	0.047uF 16V K		C453	NCB31CK-104X	C CAPACITOR	0.1uF 16V K	
C257	NCB31HK-102X	C CAPACITOR	1000pF 50V K		C454	NCB31CK-104X	C CAPACITOR	0.1uF 16V K	
C258	NCB31HK-102X	C CAPACITOR	1000pF 50V K		C481	NCB31CK-104X	C CAPACITOR	0.1uF 16V K	
C259	NCB31HK-102X	C CAPACITOR	1000pF 50V K		C491	NCB31CK-104X	C CAPACITOR	0.1uF 16V K	
C264	NCB31HK-103X	C CAPACITOR	0.01uF 50V K		C521	NCB31CK-104X	C CAPACITOR	0.1uF 16V K	
C265	NCB31CK-104X	C CAPACITOR	0.1uF 16V K		C522	NBE41AM-476X	TA E CAPACITOR	47uF 10V M	
C266	NCB31CK-104X	C CAPACITOR	0.1uF 16V K		C531	NCB31HK-332X	C CAPACITOR	3300pF 50V K	
C267	NCB31HK-103X	C CAPACITOR	0.01uF 50V K		C532	NCS31HJ-471X	C CAPACITOR	470pF 50V J	
C268	NCB31HK-153X	C CAPACITOR	0.015uF 50V K		C533	NCS31HJ-471X	C CAPACITOR	470pF 50V J	
C301	NEAF0GM-227X	E CAPACITOR	220uF 4V M		R101	NRSA63J-0R0X	MG RESISTOR	0Ω 1/16W J	
C302	NBE40JM-476X	TA E CAPACITOR	47uF 6.3V M		R102	NRSA63J-0R0X	MG RESISTOR	0Ω 1/16W J	
C305	NCB31CK-104X	C CAPACITOR	0.1uF 16V K		R103	NRSA63J-243X	MG RESISTOR	24kΩ 1/16W J	
C307	NCB31CK-104X	C CAPACITOR	0.1uF 16V K		R104	NRSA63J-303X	MG RESISTOR	30kΩ 1/16W J	
C308	NCB31CK-104X	C CAPACITOR	0.1uF 16V K		R105	NRS125J-270X	MG RESISTOR	27Ω 1/2W J	
C309	NCB31CK-104X	C CAPACITOR	0.1uF 16V K		R106	NRSA63J-2R2X	MG RESISTOR	2.2Ω 1/16W J	
C310	NCB31HK-102X	C CAPACITOR	1000pF 50V K		R107	NRSA63J-101X	MG RESISTOR	100Ω 1/16W J	
C311	NCB31CK-104X	C CAPACITOR	0.1uF 16V K		R108	NRSA63J-471X	MG RESISTOR	470Ω 1/16W J	
C312	NCB21CK-105X	C CAPACITOR	1uF 16V K		R109	NRSA63J-331X	MG RESISTOR	330Ω 1/16W J	
C313	NCB31CK-104X	C CAPACITOR	0.1uF 16V K		R110	NRSA63J-0R0X	MG RESISTOR	0Ω 1/16W J	
C314	NCB31CK-104X	C CAPACITOR	0.1uF 16V K		R111	NRSA63J-243X	MG RESISTOR	24kΩ 1/16W J	
C315	NCB31CK-104X	C CAPACITOR	0.1uF 16V K		R112	NRSA63J-303X	MG RESISTOR	30kΩ 1/16W J	
C316	NCB31CK-104X	C CAPACITOR	0.1uF 16V K		R113	NRS125J-270X	MG RESISTOR	27Ω 1/2W J	
C317	NCB31CK-104X	C CAPACITOR	0.1uF 16V K		R114	NRSA63J-2R2X	MG RESISTOR	2.2Ω 1/16W J	
C318	NCB31CK-104X	C CAPACITOR	0.1uF 16V K		R115	NRSA63J-101X	MG RESISTOR	100Ω 1/16W J	
C319	NCB31CK-104X	C CAPACITOR	0.1uF 16V K		R116	NRSA63J-471X	MG RESISTOR	470Ω 1/16W J	
C320	NCB31CK-104X	C CAPACITOR	0.1uF 16V K		R117	NRSA63J-331X	MG RESISTOR	330Ω 1/16W J	
C321	NCB31CK-104X	C CAPACITOR	0.1uF 16V K		R118	NRSA63J-0R0X	MG RESISTOR	0Ω 1/16W J	
C322	NCB31CK-104X	C CAPACITOR	0.1uF 16V K		R119	NRSA63J-0R0X	MG RESISTOR	0Ω 1/16W J	
C323	NCB31CK-104X	C CAPACITOR	0.1uF 16V K		R120	NRSA63J-0R0X	MG RESISTOR	0Ω 1/16W J	
C324	NCB21CK-105X	C CAPACITOR	1uF 16V K		R122	NRSA63J-0R0X	MG RESISTOR	0Ω 1/16W J	
C325	NDC31HJ-100X	C CAPACITOR	10pF 50V J		R123	NRSA63J-0R0X	MG RESISTOR	0Ω 1/16W J	
C326	NDC31HJ-100X	C CAPACITOR	10pF 50V J		R125	NRS125J-1R0X	MG RESISTOR	1Ω 1/2W J	
C330	NCB31CK-104X	C CAPACITOR	0.1uF 16V K		R126	NRSA02J-330X	MG RESISTOR	33Ω 1/10W J	
C331	NCB31CK-333X	C CAPACITOR	0.033uF 16V K		R201	NRS125J-1R0X	MG RESISTOR	1Ω 1/2W J	
C332	NCB31CK-104X	C CAPACITOR	0.1uF 16V K		R202	NRSA63J-473X	MG RESISTOR	47kΩ 1/16W J	
C333	NCB31CK-104X	C CAPACITOR	0.1uF 16V K		R203	NRSA63J-303X	MG RESISTOR	30kΩ 1/16W J	
C334	NCB31CK-104X	C CAPACITOR	0.1uF 16V K		R204	NRSA63J-273X	MG RESISTOR	27kΩ 1/16W J	
C335	NCB31CK-104X	C CAPACITOR	0.1uF 16V K		R205	NRSA63J-273X	MG RESISTOR	27kΩ 1/16W J	
C337	NCB31HK-183X	C CAPACITOR	0.018uF 50V K		R206	NRSA63J-0R0X	MG RESISTOR	0Ω 1/16W J	
C338	NCB31HK-562X	C CAPACITOR	5600pF 50V K		R207	NRSA63J-0R0X	MG RESISTOR	0Ω 1/16W J	
C339	NCB31CK-104X	C CAPACITOR	0.1uF 16V K		R208	NRSA63J-203X	MG RESISTOR	20kΩ 1/16W J	
C340	NCB21CK-105X	C CAPACITOR	1uF 16V K		R209	NRSA63J-223X	MG RESISTOR	22kΩ 1/16W J	
C341	NCB21CK-105X	C CAPACITOR	1uF 16V K		R211	NRSA63J-0R0X	MG RESISTOR	0Ω 1/16W J	
C347	NCB31CK-104X	C CAPACITOR	0.1uF 16V K		R219	NRSA63J-153X	MG RESISTOR	15kΩ 1/16W J	
C348	NCB31CK-104X	C CAPACITOR	0.1uF 16V K		R220	NRSA63J-183X	MG RESISTOR	18kΩ 1/16W J	
C349	NCB31CK-104X	C CAPACITOR	0.1uF 16V K		R221	NRSA63J-103X	MG RESISTOR	10kΩ 1/16W J	
C350	NCB31CK-104X	C CAPACITOR	0.1uF 16V K		R222	NRSA63J-103X	MG RESISTOR	10kΩ 1/16W J	
C351	NCB31CK-104X	C CAPACITOR	0.1uF 16V K		R223	NRSA63J-0R0X	MG RESISTOR	0Ω 1/16W J	
C352	NCB31CK-104X	C CAPACITOR	0.1uF 16V K		R224	NRSA63J-103X	MG RESISTOR	10kΩ 1/16W J	
C356	NCB21CK-105X	C CAPACITOR	1uF 16V K		R231	NRSA63J-272X	MG RESISTOR	2.7kΩ 1/16W J	
C364	NBE40JM-476X	TA E CAPACITOR	47uF 6.3V M		R232	NRSA63J-153X	MG RESISTOR	15kΩ 1/16W J	
C365	NCB31CK-104X	C CAPACITOR	0.1uF 16V K		R233	NRSA63J-0R0X	MG RESISTOR	0Ω 1/16W J	
C366	NCB21CK-105X	C CAPACITOR	1uF 16V K		R234	NRSA63J-394X	MG RESISTOR	390kΩ 1/16W J	
C369	NBE40JM-476X	TA E CAPACITOR	47uF 6.3V M		R235	NRSA63J-682X	MG RESISTOR	6.8kΩ 1/16W J	
C371	NCB21CK-105X	C CAPACITOR	1uF 16V K		R251	NRS125J-R47X	MG RESISTOR	0.47Ω 1/2W J	
C380	NCB31CK-104X	C CAPACITOR	0.1uF 16V K		R252	NRSA63J-103X	MG RESISTOR	10kΩ 1/16W J	
C384	NCB31CK-104X	C CAPACITOR	0.1uF 16V K		R253	NRSA63J-0R0X	MG RESISTOR	0Ω 1/16W J	
C391	NCB31CK-104X	C CAPACITOR	0.1uF 16V K		R254	NRSA63J-103X	MG RESISTOR	10kΩ 1/16W J	
C392	NCB31CK-104X	C CAPACITOR	0.1uF 16V K		R255	NRSA63J-203X	MG RESISTOR	20kΩ 1/16W J	
C393	NCB31CK-104X	C CAPACITOR	0.1uF 16V K		R256	NRSA63J-470X	MG RESISTOR	47Ω 1/16W J	
C395	NCB31CK-104X	C CAPACITOR	0.1uF 16V K		R257	NRSA63J-0R0X	MG RESISTOR	0Ω 1/16W J	
C396	NCB31CK-104X	C CAPACITOR	0.1uF 16V K		R258	NRSA63J-103X	MG RESISTOR	10kΩ 1/16W J	
C397	NBE20JM-226X	TA E CAPACITOR	22uF 6.3V M						

△ Symbol No.	Part No.	Part Name	Description	Local	△ Symbol No.	Part No.	Part Name	Description	Local
R259	NRSA63J-103X	MG RESISTOR	10kΩ 1/16W J		R431	NRSA63J-472X	MG RESISTOR	4.7kΩ 1/16W J	
R260	NRSA63J-470X	MG RESISTOR	47Ω 1/16W J		R432	NRSA63J-472X	MG RESISTOR	4.7kΩ 1/16W J	
R300	NRSA63J-0R0X	MG RESISTOR	0Ω 1/16W J		R433	NRSA63J-223X	MG RESISTOR	22kΩ 1/16W J	
R301	NRSA63J-0R0X	MG RESISTOR	0Ω 1/16W J		R434	NRSA63J-201X	MG RESISTOR	200Ω 1/16W J	
R303	NRSA63J-270X	MG RESISTOR	27Ω 1/16W J		R435	NRSA63J-472X	MG RESISTOR	4.7kΩ 1/16W J	
R306	NRSA63J-102X	MG RESISTOR	1kΩ 1/16W J		R436	NRSA63J-201X	MG RESISTOR	200Ω 1/16W J	
R307	NRSA63J-102X	MG RESISTOR	1kΩ 1/16W J		R437	NRSA63J-472X	MG RESISTOR	4.7kΩ 1/16W J	
R308	NRSA63J-223X	MG RESISTOR	22kΩ 1/16W J		R438	NRSA63J-223X	MG RESISTOR	22kΩ 1/16W J	
R309	NRSA63J-104X	MG RESISTOR	100kΩ 1/16W J		R441	NRSA63J-0R0X	MG RESISTOR	0Ω 1/16W J	
R310	NRSA63J-102X	MG RESISTOR	1kΩ 1/16W J		R442	NRSA63J-0R0X	MG RESISTOR	0Ω 1/16W J	
R312	NRSA63J-0R0X	MG RESISTOR	0Ω 1/16W J		R481	NRSA63J-103X	MG RESISTOR	10kΩ 1/16W J	
R313	NRSA63J-0R0X	MG RESISTOR	0Ω 1/16W J		R491	NRSA63J-103X	MG RESISTOR	10kΩ 1/16W J	
R314	NRSA63J-0R0X	MG RESISTOR	0Ω 1/16W J		R492	NRSA63J-472X	MG RESISTOR	4.7kΩ 1/16W J	
R315	NRSA63J-0R0X	MG RESISTOR	0Ω 1/16W J		R521	NRSA63J-102X	MG RESISTOR	1kΩ 1/16W J	
R316	NRSA63J-0R0X	MG RESISTOR	0Ω 1/16W J		R522	NRSA63J-102X	MG RESISTOR	1kΩ 1/16W J	
R317	NRSA63J-223X	MG RESISTOR	22kΩ 1/16W J		R531	NRSA63J-472X	MG RESISTOR	4.7kΩ 1/16W J	
R318	NRSA63J-333X	MG RESISTOR	33kΩ 1/16W J		R532	NRSA63J-472X	MG RESISTOR	4.7kΩ 1/16W J	
R319	NRSA63J-223X	MG RESISTOR	22kΩ 1/16W J		R533	NRSA63J-223X	MG RESISTOR	22kΩ 1/16W J	
R321	NRSA63J-0R0X	MG RESISTOR	0Ω 1/16W J		R534	NRSA63J-201X	MG RESISTOR	200Ω 1/16W J	
R322	NRSA63J-0R0X	MG RESISTOR	0Ω 1/16W J		R535	NRSA63J-472X	MG RESISTOR	4.7kΩ 1/16W J	
R323	NRSA63J-0R0X	MG RESISTOR	0Ω 1/16W J		R536	NRSA63J-201X	MG RESISTOR	200Ω 1/16W J	
R325	NRSA63J-161X	MG RESISTOR	160Ω 1/16W J		R537	NRSA63J-472X	MG RESISTOR	4.7kΩ 1/16W J	
R326	NRSA63J-101X	MG RESISTOR	100Ω 1/16W J		R538	NRSA63J-223X	MG RESISTOR	22kΩ 1/16W J	
R327	NRSA63J-101X	MG RESISTOR	100Ω 1/16W J		R605	NRSA63J-0R0X	MG RESISTOR	0Ω 1/16W J	
R328	NRSA63J-101X	MG RESISTOR	100Ω 1/16W J		R606	NRSA63J-0R0X	MG RESISTOR	0Ω 1/16W J	
R329	NRSA63J-101X	MG RESISTOR	100Ω 1/16W J		L303	NQL044K-100X	COIL	0.26Ω 10uH K	
R332	NRSA63J-102X	MG RESISTOR	1kΩ 1/16W J		L305	NQL093K-1R8X	COIL	1.8uH K	
R333	NRSA63J-163X	MG RESISTOR	16kΩ 1/16W J		L306	NQL093K-1R8X	COIL	1.8uH K	
R334	NRSA63J-151X	MG RESISTOR	150Ω 1/16W J		L307	NQL093K-1R8X	COIL	1.8uH K	
R335	NRSA63J-151X	MG RESISTOR	150Ω 1/16W J		L451	NQL044K-100X	COIL	0.26Ω 10uH K	
R336	NRSA63J-151X	MG RESISTOR	150Ω 1/16W J						
R337	NRSA63J-151X	MG RESISTOR	150Ω 1/16W J						
R338	NRSA63J-0R0X	MG RESISTOR	0Ω 1/16W J		CN101	QGF0522F1-30W	CONNECTOR	FFC/FPC (1-30)	
R339	NRSA63J-0R0X	MG RESISTOR	0Ω 1/16W J		CN201	QGF1038F1-11X	CONNECTOR	FFC/FPC (1-11)	
R340	NRSA63D-303X	MG RESISTOR	30kΩ 1/16W D		CN202	QGF0523F1-05W	CONNECTOR	FFC/FPC (1-5)	
R345	NRSA63J-0R0X	MG RESISTOR	0Ω 1/16W J		CN402	QGF0522F1-06W	CONNECTOR	FFC/FPC (1-6)	
R346	NRSA63J-473X	MG RESISTOR	47kΩ 1/16W J		CN403	QGF0534F1-45X	CONNECTOR	FFC/FPC (1-45)	
R347	NRSA63J-473X	MG RESISTOR	47kΩ 1/16W J		K101	NQR0007-002X	FERRITE BEADS		
R348	NRSA63J-473X	MG RESISTOR	47kΩ 1/16W J		K102	NQR0007-002X	FERRITE BEADS		
R349	NRSA63J-473X	MG RESISTOR	47kΩ 1/16W J		K301	NQR0502-001X	FERRITE BEADS		
R350	NRSA63J-750X	MG RESISTOR	75Ω 1/16W J		K311	NQR0129-002X	FERRITE BEADS		
R351	NRSA63J-102X	MG RESISTOR	1kΩ 1/16W J		K399	NQR0502-001X	FERRITE BEADS		
R352	NRSA63J-105X	MG RESISTOR	1MΩ 1/16W J		K401	NQR0022-005X	FERRITE BEADS		
R353	NRSA63J-101X	MG RESISTOR	100Ω 1/16W J		K402	NQR0022-005X	FERRITE BEADS		
R354	NRSA63J-101X	MG RESISTOR	100Ω 1/16W J		K403	NQR0022-005X	FERRITE BEADS		
R355	NRSA63J-0R0X	MG RESISTOR	0Ω 1/16W J		K404	NQR0022-005X	FERRITE BEADS		
R356	NRSA63J-0R0X	MG RESISTOR	0Ω 1/16W J		K405	NQR0022-005X	FERRITE BEADS		
R357	NRSA63J-0R0X	MG RESISTOR	0Ω 1/16W J		K406	NQR0022-005X	FERRITE BEADS		
R358	NRSA63J-0R0X	MG RESISTOR	0Ω 1/16W J		K407	NQR0022-005X	FERRITE BEADS		
R359	NRSA63J-750X	MG RESISTOR	75Ω 1/16W J		K425	NQL093K-1R8X	COIL	1.8uH K	
R360	NRSA63J-750X	MG RESISTOR	75Ω 1/16W J		K441	NQR0022-005X	FERRITE BEADS		
R361	NQL093K-1R8X	COIL	1.8uH K		K442	NQR0022-005X	FERRITE BEADS		
R362	NRSA63J-0R0X	MG RESISTOR	0Ω 1/16W J		K443	NQR0022-005X	FERRITE BEADS		
R363	NRSA63J-151X	MG RESISTOR	150Ω 1/16W J		K444	NQR0022-005X	FERRITE BEADS		
R364	NRSA63J-151X	MG RESISTOR	150Ω 1/16W J		K445	NQR0022-005X	FERRITE BEADS		
R365	NRSA63D-911X	MG RESISTOR	910Ω 1/16W D		K451	NQR0022-005X	FERRITE BEADS		
R366	NRSA63D-202X	MG RESISTOR	2kΩ 1/16W D		K452	NQR0022-005X	FERRITE BEADS		
R370	NRSA63J-103X	MG RESISTOR	10kΩ 1/16W J		K601	NQR0022-005X	FERRITE BEADS		
R372	NRSA63J-331X	MG RESISTOR	330Ω 1/16W J		SW4	NSW0184-001X	DETECT SW		
R373	NRSA63J-331X	MG RESISTOR	330Ω 1/16W J		SW5	NSW0183-001X	DETECT SW		
R380	NRSA63J-102X	MG RESISTOR	1kΩ 1/16W J		TH491	NAD0025-103X	N THERMISTOR	10kΩ	
R384	NRSA63J-102X	MG RESISTOR	1kΩ 1/16W J		X351	NAX0730-001X	CRYSTAL		
R385	NRSA63J-102X	MG RESISTOR	1kΩ 1/16W J						
R386	NRSA63J-0R0X	MG RESISTOR	0Ω 1/16W J						
R390	NRSA63J-103X	MG RESISTOR	10kΩ 1/16W J						
R391	NRSA63J-0R0X	MG RESISTOR	0Ω 1/16W J						
R392	NRSA63J-0R0X	MG RESISTOR	0Ω 1/16W J						
R393	NRSA63J-121X	MG RESISTOR	120Ω 1/16W J						
R394	NRSA63J-121X	MG RESISTOR	120Ω 1/16W J						
R396	NRSA63J-473X	MG RESISTOR	47kΩ 1/16W J						
R399	NRSA63J-0R0X	MG RESISTOR	0Ω 1/16W J						
R401	NRSA63J-100X	MG RESISTOR	10Ω 1/16W J						
R402	NRSA63J-4R7X	MG RESISTOR	4.7Ω 1/16W J						
R403	NRSA63J-0R0X	MG RESISTOR	0Ω 1/16W J						
R404	NRSA63J-473X	MG RESISTOR	47kΩ 1/16W J						
R411	NRSA63J-100X	MG RESISTOR	10Ω 1/16W J						
R421	NRSA63J-102X	MG RESISTOR	1kΩ 1/16W J						
R422	NRSA63J-102X	MG RESISTOR	1kΩ 1/16W J						

# Packing materials and accessories parts list

Block No. M 3 M M

No additional / supplemental order of WARRANTY CARDS are available.



# Packing and Accessories

Block No. [M][3][M][M]

△ Symbol No.	Part No.	Part Name	Description	Local
A 1	LVT1323-001B	INST BOOK	ENG GER FRE DUT	E
A 1	LVT1322-001B	INST BOOK	ENG SPA FRE	J
A 1	LVT1324-001B	INST BOOK	ENG CHI(TAIWAN) THA	A,U
A 1	LVT1324-003B	INST BOOK	ENG INA	UN
A 1	LVT1324-004B	INST BOOK	ENG CHI(TAIWAN)	UT
A 2	LVT1323-002B	INST BOOK	SPA ITA SWE RUS	E
A 2	LVT1324-002B	INST BOOK	KOR ARA PER	A,U
A 3	LVT1323-005A	INST MANUAL		E
A 3	LVT1322-002A	INST MANUAL		J
A 3	LVT1324-007A	INST MANUAL		UN
A 3	LVT1324-005A	INSTALL MANUAL		A,U,UT
A 4	LVT1323-006A	INSTALL MANUAL		E
A 4	LVT1324-006A	INSTALL MANUAL		A,U
A 5	VKZ4027-202	PLUG NUT		
A 6	VKH4871-003	MOUNT BOLT		
A 7	VKZ4328-003	LOCK NUT		
A 8	QYWSS50A010ZA	WASHER	0.1mm/5mm x	
A 9	FSKL4010-002	HOOK	(x2)	
A 10	LV41478-002A	CORD CONNECTOR	(x2)	
A 11	RM-RK230	REMOCON		
A 12	-----	BATTERY		
A 13	FSKM2004-003	MOUNTING SLEEVE		
A 14	LV21948-001A	TRIM		
A 15	LV35787-001A	HARD CASE ASSY		
A 16	QAM0700-001	CAR CABLE		E
A 16	QAM0701-001	CAR CABLE		A,J,U,UN,UT
A 17	-----	WARRANTY CARD	BT-54026-1	E
A 18	VND3046-001	SERIAL TICKET		E
A 19	VND3050-002	IDENTITY CARD		E
A 20	LVT0717-001B	TROUBLE SHEET(C		J
A 21	-----	WARRANTY CARD	BT-51018-4	J
A 22	BT-51034-2	REGISTRATION CARD		J
A 23	-----	WARRANTY CARD	BT-52006-2	J
KIT	SRW-AVX1E	SCREW PARTS KIT	A5 A6 A7 A8 A9 A10	
P 1	LV36105-001A	CARTON		A
P 1	LV35859-001A	CARTON		E
P 1	LV35788-001A	CARTON		J
P 1	LV35860-001A	CARTON		U,UN,UT
P 2	FSPG4002-001	POLY BAG	(x2)	A,E,J,U
P 2	FSPG4002-001	POLY BAG		UN,UT
P 3	QPA00801205	POLY BAG	8cm x 12cm	
P 4	FSYH4036-068	SHEET		
P 5	QPA01003003	POLY BAG	10cm x 30cm	
P 6	QPC02604420P	POLY BAG	26cm x 44cm	
P 7	LV11084-001A	CUSHION (L)		
P 8	LV11085-001A	CUSHION (R)		